



# Stainless Steel 90 Degree Elbows

## Product Specifications

### PRODUCT FEATURES

- Stainless Steel
- Push Connect Installation
- Safe for potable water
- Maximum Working Pressure: 200 PSI
- Maximum Temperature Rating: 200°F
- Compatible with Copper, CPVC, & PEX
- Behind the wall or direct burial

### MATERIALS

- Body Construction: AISI 304 Stainless Steel
- O-Ring: EPDM
- Grip Ring: AISI 301 Stainless Steel
- Tube Stiffener: Glass-filled Nylon (1/2"-1") or Copper (1-1/4"-2")

### PERFORMANCE

- Max Pressure: 200 PSI
- Max Temp: 200° F

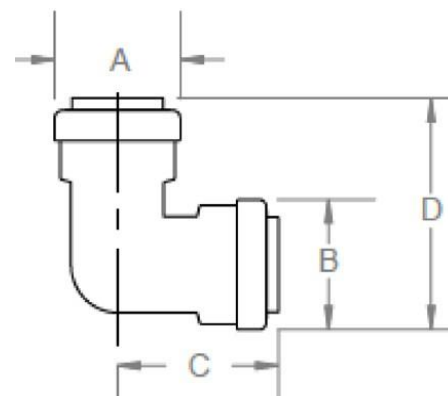
### APPLICABLE STANDARDS/CODES

- IAPMO
- ASSE 1061 (Push Fit Fittings – UPC, IPC, cUPC)
- NSF/ANSI 372
- NSF/ANSI/CAN 61 – Sec. 9: Q≤1



Fitting Size	Insertion Depth
1/2"	1"
3/4"	1-3/16"
1"	1-3/16"
1-1/4"	1-7/8"
1-1/2"	2-1/8"
2"	2-3/16"

✓ To Submit	Part #	Size	A	B	C	D
	MLSS813R	1/2"	1.06"	1.06"	1.32"	1.85"
	MLSS823R	3/4"	1.35"	1.35"	1.73"	2.41"
	MLSS833R	1"	1.75"	1.75"	1.88"	2.75"
	MLSS853R	1-1/4"	2.12"	2.12"	2.7"	3.76"
	MLSS863R	1-1/2"	2.57"	2.57"	3.05"	4.34"
	MLSS873R	2"	2.95"	2.95"	3.42"	4.9"
	MLSS813FR	1/2" x 1/2" FNPT	1.06"	1/2" FNPT	1.33"	1.76"
	MLSS823FR	3/4" x 3/4" FNPT	1.35"	3/4" FNPT	1.43"	2.4"
	MLSS813MR	1/2" x 1/2" MNPT	1.06"	1/2" MNPT	1.33"	1.81"
	MLSS823MR	3/4" x 3/4" MNPT	1.35"	3/4" MNPT	1.43"	2.39"
	MLSS843R	3/4" x 1/2"	1.35"	1.06"	1.49"	2.11"



### Warranty

See warranty information for more details.

All dimensions listed are nominal. MAINLINE® reserves the right to make product and material changes at any time without notice.



Contact your sales representative for more information or visit our website at [mainlinecollection.com](http://mainlinecollection.com)



**MAINLINE®**

# Stainless Steel Ball Valves

## Product Specifications

### PRODUCT FEATURES

- Stainless Steel
- Push Connect Installation
- Safe for potable water
- Maximum Working Pressure: 200 PSI
- Maximum Temperature Rating: 200°F
- Compatible with Copper, CPVC, & PEX
- Behind the wall or direct burial



### MATERIALS

- Body Construction: AISI 304 Stainless Steel
- O-Ring: EPDM
- Grip Ring: AISI 301 Stainless Steel
- Tube Stiffener: Glass-filled Nylon (1/2"-1") or Copper (1-1/4"-2")

### PERFORMANCE

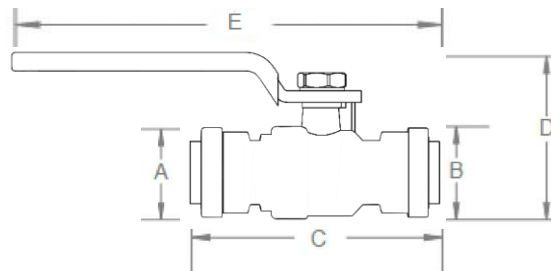
- Max Pressure: 200 PSI
- Max Temp: 200° F

### APPLICABLE STANDARDS/CODES

- IAPMO
- ASSE 1061 (Push Fit Fittings – UPC, IPC, cUPC)
- NSF/ANSI 372
- NSF/ANSI/CAN 61 – Sec. 9: Q≤1

Fitting Size	Insertion Depth
1/2"	1"
3/4"	1-3/16"
1"	1-3/16"
1-1/4"	1-7/8"
1-1/2"	2-1/8"
2"	2-3/16"

✓ To Submit	Part #	Size	A	B	C	D	E
	MLSS912R	1/2"	1.06"	1.06"	3.11"	1.97"	5.32"
	MLSS922R	3/4"	1.35"	1.35"	3.80"	2.27"	5.70"
	MLSS932R	1"	1.75"	1.75"	4.21"	2.87"	6.46"
	MLSS952R	1-1/4"	2.12"	2.12"	5.82"	3.76"	7.67"
	MLSS962R	1-1/2"	2.57"	2.57"	6.87"	4.42"	8.37"
	MLSS972R	2"	3.22"	3.22"	7.47"	5.23"	10.06"



### Warranty

See warranty information for more details.

All dimensions listed are nominal. MAINLINE® reserves the right to make product and material changes at any time without notice.



Contact your sales representative for more information or visit our website at [mainlinecollection.com](http://mainlinecollection.com)



MAINLINE®

# Stainless Steel End Stops

## Product Specifications

### PRODUCT FEATURES

- Stainless Steel
- Push Connect Installation
- Safe for potable water
- Maximum Working Pressure: 200 PSI
- Maximum Temperature Rating: 200°F
- Compatible with Copper, CPVC, & PEX
- Behind the wall or direct burial

### MATERIALS

- Body Construction: AISI 304 Stainless Steel
- O-Ring: EPDM
- Grip Ring: AISI 301 Stainless Steel
- Tube Stiffener: Glass-filled Nylon (1/2"-1") or Copper (1-1/4"-2")

### PERFORMANCE

- Max Pressure: 200 PSI
- Max Temp: 200° F

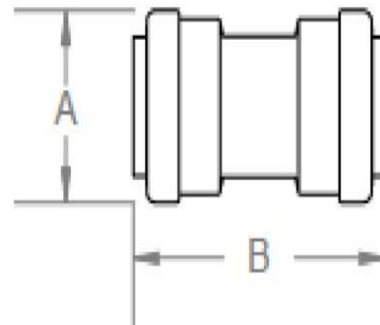
### APPLICABLE STANDARDS/CODES

- IAPMO
- ASSE 1061 (Push Fit Fittings – UPC, IPC, cUPC)
- NSF/ANSI 372
- NSF/ANSI/CAN 61 – Sec. 9: Q≤1



Fitting Size	Insertion Depth
1/2"	1"
3/4"	1-3/16"
1"	1-3/16"
1-1/4"	1-7/8"
1-1/2"	2-1/8"
2"	2-3/16"

✓ To Submit	Part #	Size	A	B
	MLSS816R	1/2"	1.06"	1.01"
	MLSS826R	3/4"	1.35"	1.26"
	MLSS836R	1"	1.75"	1.29"
	MLSS856R	1-1/4"	2.12"	1.93"
	MLSS866R	1-1/2"	2.57"	2.2"
	MLSS876R	2"	2.95"	2.3"



### Warranty

See warranty information for more details.

All dimensions listed are nominal. MAINLINE® reserves the right to make product and material changes at any time without notice.



Contact your sales representative for more information or visit our website at [mainlinecollection.com](http://mainlinecollection.com)



**MAINLINE®**

# Stainless Steel Female Adapters

## Product Specifications

### PRODUCT FEATURES

- Stainless Steel
- Push Connect Installation
- Safe for potable water
- Maximum Working Pressure: 200 PSI
- Maximum Temperature Rating: 200°F
- Compatible with Copper, CPVC, & PEX
- Behind the wall or direct burial

### MATERIALS

- Body Construction: AISI 304 Stainless Steel
- O-Ring: EPDM
- Grip Ring: AISI 301 Stainless Steel
- Tube Stiffener: Glass-filled Nylon (1/2"-1") or Copper (1-1/4"-2")



### PERFORMANCE

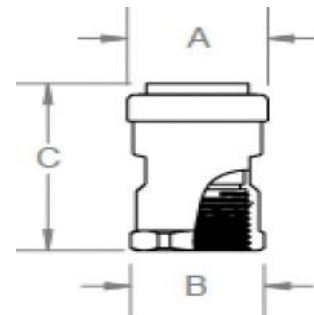
- Max Pressure: 200 PSI
- Max Temp: 200° F

### APPLICABLE STANDARDS/CODES

- IAPMO
- ASSE 1061 (Push Fit Fittings – UPC, IPC, cUPC)
- NSF/ANSI 372
- NSF/ANSI/CAN 61 – Sec. 9: Q≤1

Fitting Size	Insertion Depth
1/2"	1"
3/4"	1-3/16"
1"	1-3/16"
1-1/4"	1-7/8"
1-1/2"	2-1/8"
2"	2-3/16"

✓ To Submit	Part #	Size	A	B	C
	MLSS812FR	1/2" x 1/2" FNPT	1.06"	1/2" FNPT	1.66"
	MLSS822FR	3/4" x 3/4" FNPT	1.35"	3/4" FNPT	1.99"
	MLSS832FR	1" x 1" FNPT	1.75"	1" FNPT	2.04"
	MLSS852FR	1-1/4" x 1-1/4" FNPT	2.12"	1-1/4" FNPT	2.91"
	MLSS862FR	1-1/2" x 1-1/2" FNPT	2.57"	1-1/2" FNPT	3.18"
	MLSS872FR	2" x 2" FNPT	2.95"	2" FNPT	3.31"
	MLSS842FR	1/2" x 3/4" FNPT	1.06"	3/4" FNPT	1.62"



### Warranty

See warranty information for more details.

All dimensions listed are nominal. MAINLINE® reserves the right to make product and material changes at any time without notice.



Contact your sales representative for more information or visit our website at [mainlinecollection.com](http://mainlinecollection.com)



**MAINLINE®**

# Stainless Steel Male Adapters

## Product Specifications

### PRODUCT FEATURES

- Stainless Steel
- Push Connect Installation
- Safe for potable water
- Maximum Working Pressure: 200 PSI
- Maximum Temperature Rating: 200°F
- Compatible with Copper, CPVC, & PEX
- Behind the wall or direct burial

### MATERIALS

- Body Construction: AISI 304 Stainless Steel
- O-Ring: EPDM
- Grip Ring: AISI 301 Stainless Steel
- Tube Stiffener: Glass-filled Nylon (1/2"-1") or Copper (1-1/4"-2")

### PERFORMANCE

- Max Pressure: 200 PSI
- Max Temp: 200° F

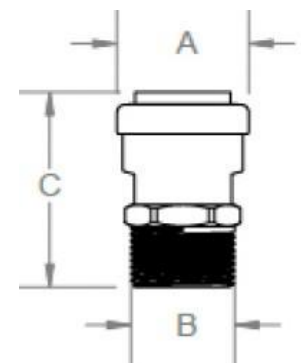
### APPLICABLE STANDARDS/CODES

- IAPMO
- ASSE 1061 (Push Fit Fittings – UPC, IPC, cUPC)
- NSF/ANSI 372
- NSF/ANSI/CAN 61 – Sec. 9: Q≤1



Fitting Size	Insertion Depth
1/2"	1"
3/4"	1-3/16"
1"	1-3/16"
1-1/4"	1-7/8"
1-1/2"	2-1/8"
2"	2-3/16"

✓ To Submit	Part #	Size	A	B	C
	MLSS812MR	1/2" x 1/2" MNPT	1.06"	1/2" MNPT	1.8"
	MLSS822MR	3/4" x 3/4" MNPT	1.35"	3/4" MNPT	2.09"
	MLSS832MR	1" x 1" MNPT	1.75"	1" MNPT	1.96"
	MLSS852MR	1-1/4" x 1-1/4" MNPT	2.12"	1-1/4" MNPT	2.88"
	MLSS862MR	1-1/2" x 1-1/2" MNPT	2.57"	1-1/2" MNPT	3.24"
	MLSS872MR	2" x 2" MNPT	2.95"	2" MNPT	3.28"



### Warranty

See warranty information for more details.

All dimensions listed are nominal. MAINLINE® reserves the right to make product and material changes at any time without notice.



Contact your sales representative for more information or visit our website at [mainlinecollection.com](http://mainlinecollection.com)



MAINLINE®

# Stainless Steel Reducing Couplings

## Product Specifications

### PRODUCT FEATURES

- Stainless Steel
- Push Connect Installation
- Safe for potable water
- Maximum Working Pressure: 200 PSI
- Maximum Temperature Rating: 200°F
- Compatible with Copper, CPVC, & PEX
- Behind the wall or direct burial



### MATERIALS

- Body Construction: AISI 304 Stainless Steel
- O-Ring: EPDM
- Grip Ring: AISI 301 Stainless Steel
- Tube Stiffener: Glass-filled Nylon (1/2"-1") or Copper (1-1/4"-2")

### PERFORMANCE

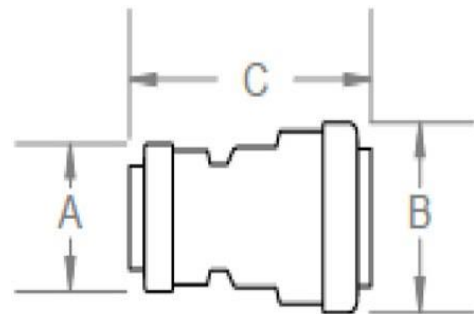
- Max Pressure: 200 PSI
- Max Temp: 200° F

### APPLICABLE STANDARDS/CODES

- IAPMO
- ASSE 1061 (Push Fit Fittings – UPC, IPC, cUPC)
- NSF/ANSI 372
- NSF/ANSI/CAN 61 – Sec. 9: Q≤1

Fitting Size	Insertion Depth
1/2"	1"
3/4"	1-3/16"
1"	1-3/16"
1-1/4"	1-7/8"
1-1/2"	2-1/8"
2"	2-3/16"

✓ To Submit	Part #	Size	A	B	C
	MLSS841R	3/4" x 1/2"	1.06"	1.35"	2.23"



### Warranty

See warranty information for more details.

All dimensions listed are nominal. MAINLINE® reserves the right to make product and material changes at any time without notice.



Contact your sales representative for more information or visit our website at [mainlinecollection.com](http://mainlinecollection.com)



**MAINLINE®**

# Stainless Steel Slip Repair Couplings

## Product Specifications

### PRODUCT FEATURES

- Stainless Steel
- Push Connect Installation
- Safe for potable water
- Maximum Working Pressure: 200 PSI
- Maximum Temperature Rating: 200°F
- Compatible with Copper, CPVC, & PEX
- Behind the wall or direct burial



### MATERIALS

- Body Construction: AISI 304 Stainless Steel
- O-Ring: EPDM
- Grip Ring: AISI 301 Stainless Steel
- Tube Stiffener: Glass-filled Nylon (1/2"-1") or Copper (1-1/4"-2")

### PERFORMANCE

- Max Pressure: 200 PSI
- Max Temp: 200° F

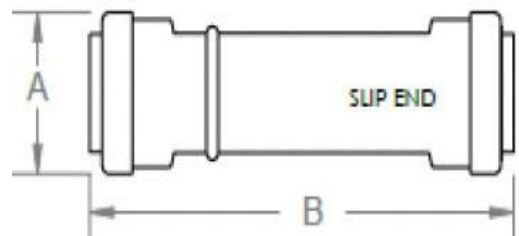
### APPLICABLE STANDARDS/CODES

- IAPMO
- ASSE 1061 (Push Fit Fittings – UPC, IPC, cUPC)
- NSF/ANSI 372
- NSF/ANSI/CAN 61 – Sec. 9: Q≤1

Fitting Size	Insertion Depth
1/2"	1"
3/4"	1-3/16"
1"	1-3/16"
1-1/4"	1-7/8"
1-1/2"	2-1/8"
2"	2-3/16"

*\*Includes Slip Clip – Smart Release Tool*

✓ To Submit	Part #	Size	A	B
	MLSS817R	1/2"	1.06"	4.36"
	MLSS827R	3/4"	1.35"	4.4"



### Warranty

See warranty information for more details.

All dimensions listed are nominal. MAINLINE® reserves the right to make product and material changes at any time without notice.



Contact your sales representative for more information or visit our website at [mainlinecollection.com](http://mainlinecollection.com)



MAINLINE®

# Stainless Steel Straight Couplings

## Product Specifications

### PRODUCT FEATURES

- Stainless Steel
- Push Connect Installation
- Safe for potable water
- Maximum Working Pressure: 200 PSI
- Maximum Temperature Rating: 200°F
- Compatible with Copper, CPVC, & PEX
- Behind the wall or direct burial

### MATERIALS

- Body Construction: AISI 304 Stainless Steel
- O-Ring: EPDM
- Grip Ring: AISI 301 Stainless Steel
- Tube Stiffener: Glass-filled Nylon (1/2"-1") or Copper (1-1/4"-2")

### PERFORMANCE

- Max Pressure: 200 PSI
- Max Temp: 200° F

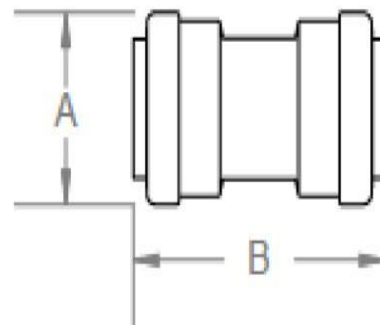
### APPLICABLE STANDARDS/CODES

- IAPMO
- ASSE 1061 (Push Fit Fittings – UPC, IPC, cUPC)
- NSF/ANSI 372
- NSF/ANSI/CAN 61 – Sec. 9: Q≤1



Fitting Size	Insertion Depth
1/2"	1"
3/4"	1-3/16"
1"	1-3/16"
1-1/4"	1-7/8"
1-1/2"	2-1/8"
2"	2-3/16"

✓ To Submit	Part #	Size	A	B
	MLSS811R	1/2"	1.06"	1.94"
	MLSS821R	3/4"	1.35"	2.46"
	MLSS831R	1"	1.75"	2.45"
	MLSS851R	1-1/4"	2.12"	3.7"
	MLSS861R	1-1/2"	2.57"	4.25"
	MLSS871R	2"	2.95"	4.43"



### Warranty

See warranty information for more details.

All dimensions listed are nominal. MAINLINE® reserves the right to make product and material changes at any time without notice.



Contact your sales representative for more information or visit our website at [mainlinecollection.com](http://mainlinecollection.com)



**MAINLINE®**

# Stainless Steel Tees

## Product Specifications

### PRODUCT FEATURES

- Stainless Steel
- Push Connect Installation
- Safe for potable water
- Maximum Working Pressure: 200 PSI
- Maximum Temperature Rating: 200°F
- Compatible with Copper, CPVC, & PEX
- Behind the wall or direct burial



### MATERIALS

- Body Construction: AISI 304 Stainless Steel
- O-Ring: EPDM
- Grip Ring: AISI 301 Stainless Steel
- Tube Stiffener: Glass-filled Nylon (1/2"-1") or Copper (1-1/4"-2")

### PERFORMANCE

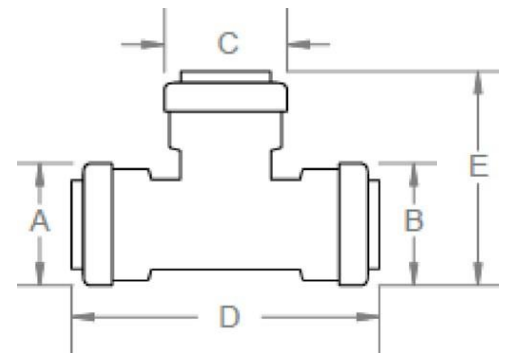
- Max Pressure: 200 PSI
- Max Temp: 200° F

### APPLICABLE STANDARDS/CODES

- IAPMO
- ASSE 1061 (Push Fit Fittings – UPC, IPC, cUPC)
- NSF/ANSI 372
- NSF/ANSI/CAN 61 – Sec. 9: Q≤1

Fitting Size	Insertion Depth
1/2"	1"
3/4"	1-3/16"
1"	1-3/16"
1-1/4"	1-7/8"
1-1/2"	2-1/8"
2"	2-3/16"

✓ To Submit	Part #	Size	A	B	C	D	E
	MLSS814R	1/2"	1.06"	1.06"	1.06"	2.69"	1.87"
	MLSS824R	3/4"	1.35"	1.35"	1.35"	3.39"	2.37"
	MLSS834R	1"	1.75"	1.75"	1.75"	3.72"	2.73"
	MLSS854R	1-1/4"	2.12"	2.12"	2.12"	5.26"	3.69"
	MLSS864R	1-1/2"	2.57"	2.57"	2.57"	6.06"	4.32"
	MLSS874R	2"	2.95"	2.95"	2.95"	6.72"	4.84"
	MLSS815R	3/4" x 1/2" x 1/2"	1.35"	1.06"	1.06"	3.07"	1.87"
	MLSS825R	3/4" x 1/2" x 3/4"	1.35"	1.06"	1.35"	3.23"	2.36"
	MLSS844R	3/4" x 3/4" x 1/2"	1.35"	1.35"	1.06"	3.18"	2.12"
	MLSS835R	1" x 1" x 3/4"	1.75"	1.75"	1.35"	3.42"	2.73"



### Warranty

See warranty information for more details.

All dimensions listed are nominal. MAINLINE® reserves the right to make product and material changes at any time without notice.



Contact your sales representative for more information or visit our website at [mainlinecollection.com](http://mainlinecollection.com)



**MAINLINE®**

# Push Connect® Accessories

## Product Specifications

Mainline® Push Connect® plumbing fittings eliminate the mess and extra work of having to use glues or solder to connect copper, PEX tubing, and CPVC.

### PEX TUBE STIFFENERS

- When using PEX, a tube stiffener should be inserted into the PEX tubing end prior to insertion into the Push Connect® fitting.
- While many fittings are offered with pre-inserted stiffeners, these accessories may be used with Push Connect® fittings lacking pre-inserted stiffeners.



✓ To Submit	Part #	Size
	MLU38TS	3/8" PEX Tube Stiffener (pair)
	MLU12TS	1/2" PEX Tube Stiffener (pair)
	MLU34TS	3/4" PEX Tube Stiffener (pair)
	MLU1TS	1" PEX Tube Stiffener (pair)
	MLU114TS	1-1/4" PEX Tube Stiffener (pair)
	MLU112TS	1-1/2" PEX Tube Stiffener (pair)
	MLU2TS	2" PEX Tube Stiffener (pair)
	MLU12PBYTS	1/2" Poly Tube Stiffener (pair)
	MLU34PBYTS	3/4" Poly Tube Stiffener (pair)

### Warranty

See warranty information for more details.

All dimensions listed are nominal. MAINLINE® reserves the right to make product and material changes at any time without notice.



\*≤.25% Pb

**Contact your sales representative for more information or visit our website at [mainlinecollection.com](http://mainlinecollection.com)**