

# Push Connect® Brass Straight Couplings

Product Specifications

Page 1 of 2

## PRODUCT FEATURES

- Forged Lead Free\* Brass
- Maximum Working Pressure: 200 PSI
- Maximum Temperature Rating: 200° F
- Compatible with Copper, CPVC, PEX & PE-RT
- Replaceable O-Ring Seal Design
- Removable and Reusable
- Push to Connect
- Full Flow
- Available with Pre-Inserted Stiffener
- Dual Seal on Sizes 1-1/4" and Larger

## APPROVED APPLICATIONS

- Plumbing
- Heating
- Irrigation
- Underground
- Hydronic Heating
- Behind Walls without Access Panel

*NOTE: When using PEX, a tube stiffener should be inserted into the PEX tubing end prior to insertion into the fitting.*



## FORCES FOR MECHANICAL SEPARATION TEST

Nominal Size		Longitudinal (Pull) Test	
Inches	mm	Lbf	N
3/8 or <	10 or <	100	444.8
1/2	13	150	667
3/4	19	275	1223.2
1	25	475	2112.8

✓To Submit	Part #	Size
	MLU004LF	1/4" x 1/4"
	MLU006LF	3/8" x 3/8"
	MLU008LF	1/2" x 1/2"
	MLU016LF	3/4" x 3/4"
	MLU020LF	1" x 1"
	MLU006LF-S	3/8" x 3/8" w/ Stiffener
	MLU008LF-S	1/2" x 1/2" w/ Stiffener
	MLU016LF-S	3/4" x 3/4" w/ Stiffener
	MLU020LF-S	1" x 1" w/ Stiffener

## Warranty

See warranty information for more details.

All dimensions listed are nominal. MAINLINE® reserves the right to make product and material changes at any time without notice.



**Contact your sales representative for more information or visit our website at [mainlinecollection.com](http://mainlinecollection.com)**



# Push Connect® Brass Straight Couplings

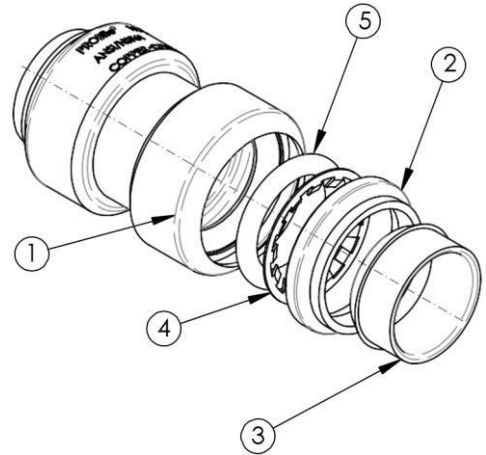
Product Specifications

Page 2 of 2

**MAINLINE®**

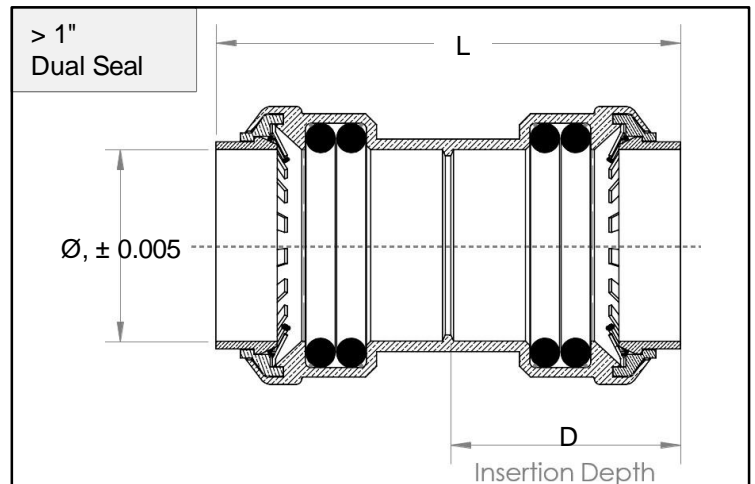
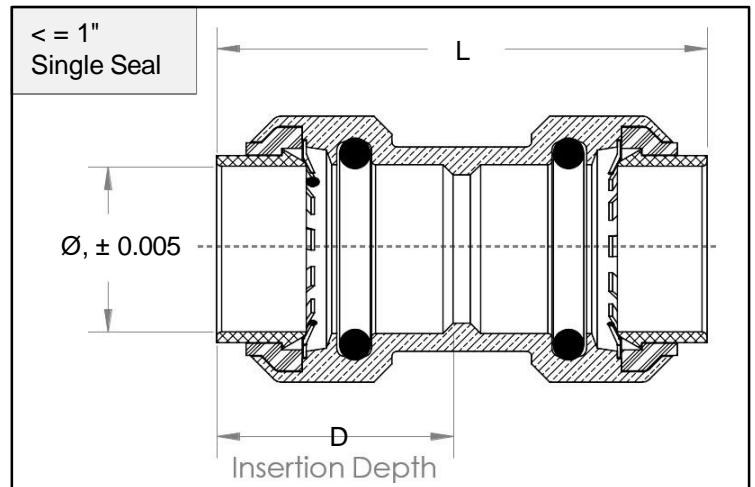
## MATERIALS & SPECIFICATIONS

#	Component	Material	
		<= 1"	> 1"
1	Body	Lead Free Brass	Lead Free Brass
2	Seat Ring	POM	Lead Free Brass
3	Push Ring	POM	Lead Free Brass
4	Grip ring	Stainless Steel	Stainless Steel
5	O-Ring Seal	EPDM70	EPDM70



## DIMENSIONS

#	Ø	D	L
MLU004LF	<b>TBD</b>	<b>TBD</b>	<b>TBD</b>
MLU006LF	0.515	0.81	1.75
MLU008LF	0.64	1	2.02
MLU016LF	0.88	1.06	2.47
MLU020LF	1.142	1.31	2.59
MLU006LF-S	0.515	0.81	1.75
MLU008LF-S	0.64	1	2.02
MLU016LF-S	0.88	1.06	2.47
MLU020LF-S	1.142	1.31	2.59



Contact your sales representative for more information or visit our website at [mainlinecollection.com](http://mainlinecollection.com)



**MAINLINE®**

# Push Connect® Accessories

## Product Specifications

Mainline® Push Connect® plumbing fittings eliminate the mess and extra work of having to use glues or solder to connect copper, PEX tubing, and CPVC.

### PEX TUBE STIFFENERS

- When using PEX, a tube stiffener should be inserted into the PEX tubing end prior to insertion into the Push Connect® fitting.
- While many fittings are offered with pre-inserted stiffeners, these accessories may be used with Push Connect® fittings lacking pre-inserted stiffeners.



✓ To Submit	Part #	Size
	MLU38TS	3/8" PEX Tube Stiffener (pair)
	MLU12TS	1/2" PEX Tube Stiffener (pair)
	MLU34TS	3/4" PEX Tube Stiffener (pair)
	MLU1TS	1" PEX Tube Stiffener (pair)
	MLU114TS	1-1/4" PEX Tube Stiffener (pair)
	MLU112TS	1-1/2" PEX Tube Stiffener (pair)
	MLU2TS	2" PEX Tube Stiffener (pair)
	MLU12PBYTS	1/2" Poly Tube Stiffener (pair)
	MLU34PBYTS	3/4" Poly Tube Stiffener (pair)

### Warranty

See warranty information for more details.

All dimensions listed are nominal. MAINLINE® reserves the right to make product and material changes at any time without notice.



\*≤.25% Pb

**Contact your sales representative for more information or visit our website at [mainlinecollection.com](http://mainlinecollection.com)**



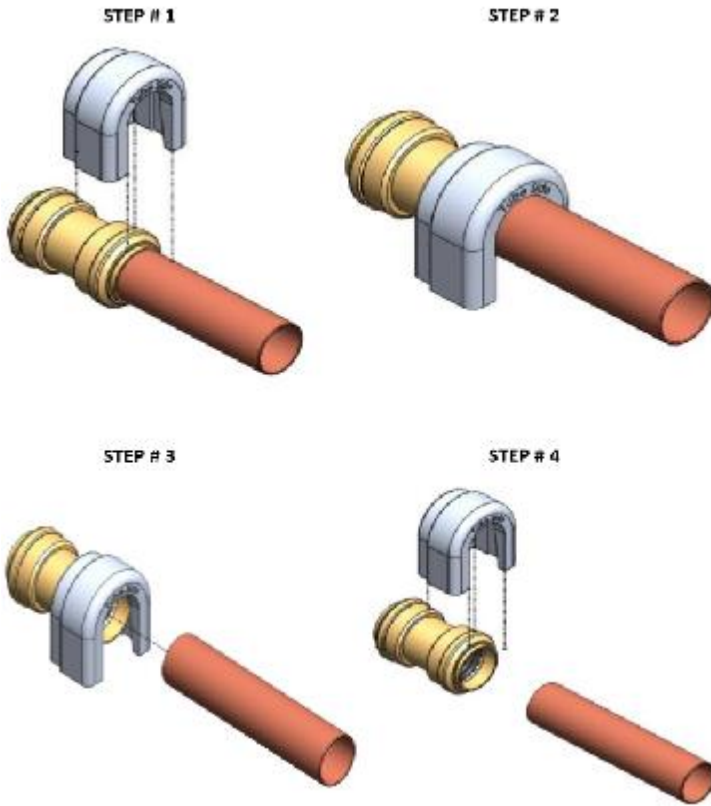
**MAINLINE®**

# Slip Clip - Smart Release Tool

## Product Specifications

### PRODUCT FEATURES

- Made for quick and easy removal of Mainline® Push Connect® fittings in all plumbing applications



✓ To Submit	Part #	Size
	MLU711	1/2"
	MLU721	3/4"
	MLU731	1"
	MLU771	1-1/4"
	MLU781	1-1/2"
	MLU791	2"

### Warranty

See warranty information for more details.

All dimensions listed are nominal. MAINLINE® reserves the right to make product and material changes at any time without notice.



Contact your sales representative for more information or visit our website at [mainlinecollection.com](http://mainlinecollection.com)



# Push Connect® Brass Reducing Couplings

Product Specifications

Page 1 of 2

## PRODUCT FEATURES

- Forged Lead Free\* Brass
- Maximum Working Pressure: 200 PSI
- Maximum Temperature Rating: 200° F
- Compatible with Copper, CPVC, PEX & PE-RT
- Replaceable O-Ring Seal Design
- Removable and Reusable
- Push to Connect
- Full Flow
- Available with Pre-Inserted Stiffener
- Dual Seal on Sizes 1-1/4" and Larger

## APPROVED APPLICATIONS

- Plumbing
- Heating
- Irrigation
- Underground
- Hydronic Heating
- Behind Walls without Access Panel

*NOTE: When using PEX, a tube stiffener should be inserted into the PEX tubing end prior to insertion into the fitting.*



## FORCES FOR MECHANICAL SEPARATION TEST

Nominal Size		Longitudinal (Pull) Test	
Inches	mm	Lbf	N
3/8 or <	10 or <	100	444.8
1/2	13	150	667
3/4	19	275	1223.2
1	25	475	2112.8

✓To Submit	Part #	Size
	MLU009LF	1/2" x 3/8"
	MLU8408LF	3/8" x 1/4"
	MLU058LF	3/4" x 1/2"
	MLU060LF	1" x 3/4"
	MLU009LF-S	1/2" x 3/8" w/ Stiffener
	MLU8408LF-S	3/8 x 1/4" w/Stiffener
	MLU058LF-S	3/4" x 1/2" w/ Stiffener
	MLU060LF-S	1" x 3/4" w/ Stiffener

## Warranty

See warranty information for more details.

All dimensions listed are nominal. MAINLINE® reserves the right to make product and material changes at any time without notice.



**Contact your sales representative for more information or visit our website at [mainlinecollection.com](http://mainlinecollection.com)**

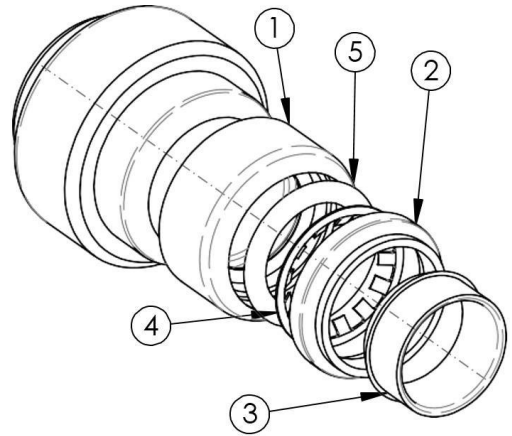
# Push Connect® Brass Reducing Couplings

Product Specifications

Page 2 of 2

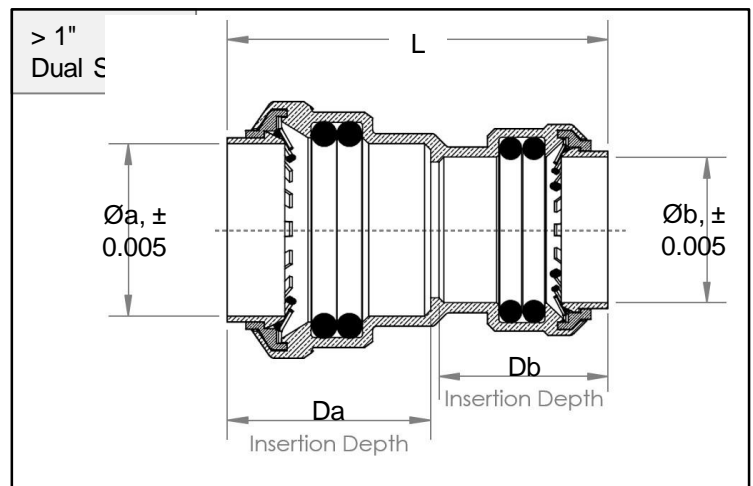
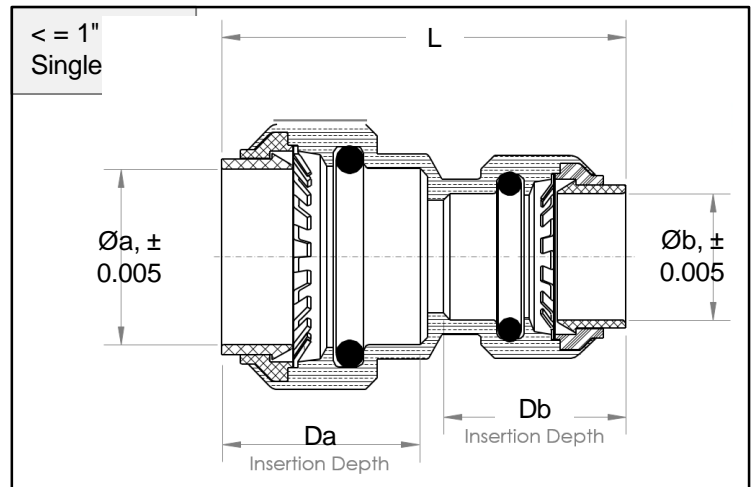
## MATERIALS & SPECIFICATIONS

#	Component	Material	
		<= 1"	> 1"
1	Body	Lead Free Brass	Lead Free Brass
2	Seat Ring	POM	Lead Free Brass
3	Push Ring	POM	Lead Free Brass
4	Grip ring	Stainless Steel	Stainless Steel
5	O-Ring Seal	EPDM70	EPDM70



## DIMENSIONS

#	Øa	Øb	Da	Db	L
MLU009LF	0.64	0.515	1	81	1.88
MLU8408LF	<b>TBD</b>	<b>TBD</b>	<b>TBD</b>	<b>TBD</b>	<b>TBD</b>
MLU058LF	0.88	0.64	1.06	1	2.38
MLU060LF	1.142	0.88	1.31	1.06	2.47
MLU009LF-S	0.64	0.515	1	81	1.88
MLU8408LF-S	<b>TBD</b>	<b>TBD</b>	<b>TBD</b>	<b>TBD</b>	<b>TBD</b>
MLU058LF-S	0.88	0.64	1.06	1	2.38
MLU060LF-S	1.142	0.88	1.31	1.06	2.47



Contact your sales representative for more information or visit our website at [mainlinecollection.com](http://mainlinecollection.com)



# Push Connect® Brass FIP Adapters

Product Specifications

Page 1 of 2

MAINLINE®

## PRODUCT FEATURES

- Forged Lead Free\* Brass
- Maximum Working Pressure: 200 PSI
- Maximum Temperature Rating: 200° F
- Compatible with Copper, CPVC, PEX & PE-RT
- Replaceable O-Ring Seal Design
- Removable and Reusable
- Push to Connect
- Full Flow
- Available with Pre-Inserted Stiffener
- Dual Seal on Sizes 1-1/4" and Larger

## APPROVED APPLICATIONS

- Plumbing
- Heating
- Irrigation
- Underground
- Hydronic Heating
- Behind Walls without Access Panel

NOTE: When using PEX, a tube stiffener should be inserted into the PEX tubing end prior to insertion into the fitting.



## FORCES FOR MECHANICAL SEPARATION TEST

Nominal Size		Longitudinal (Pull) Test	
Inches	mm	Lbf	N
3/8 or <	10 or <	100	444.8
1/2	13	150	667
3/4	19	275	1223.2
1	25	475	2112.8

✓To Submit	Part #	Size
	MLU882FLF	1/4" x 1/4"
	MLU069LF	3/8" x 3/8"
	MLU072LF	1/2" x 1/2"
	MLU088LF	3/4" x 3/4"
	MLU094LF	1" x 1"
	MLU069LF-S	3/8" x 3/8" w/ Stiffener
	MLU072LF-S	1/2" x 1/2" w/ Stiffener
	MLU088LF-S	3/4" x 3/4" w/ Stiffener
	MLU094LF-S	1" x 1" w/ Stiffener

## Warranty

See warranty information for more details.

All dimensions listed are nominal. MAINLINE® reserves the right to make product and material changes at any time without notice.



Contact your sales representative for more information or visit our website at [mainlinecollection.com](http://mainlinecollection.com)

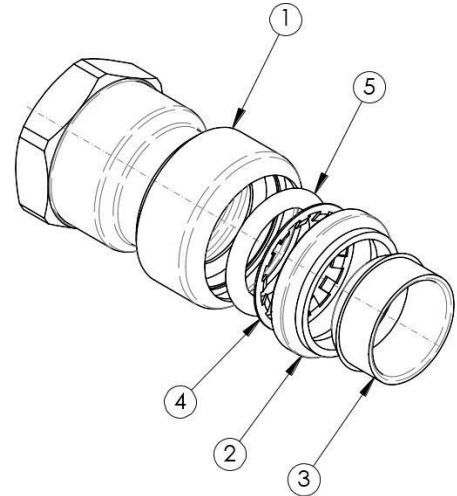
# Push Connect<sup>®</sup> Brass FIP Adapters

Product Specifications

Page 2 of 2

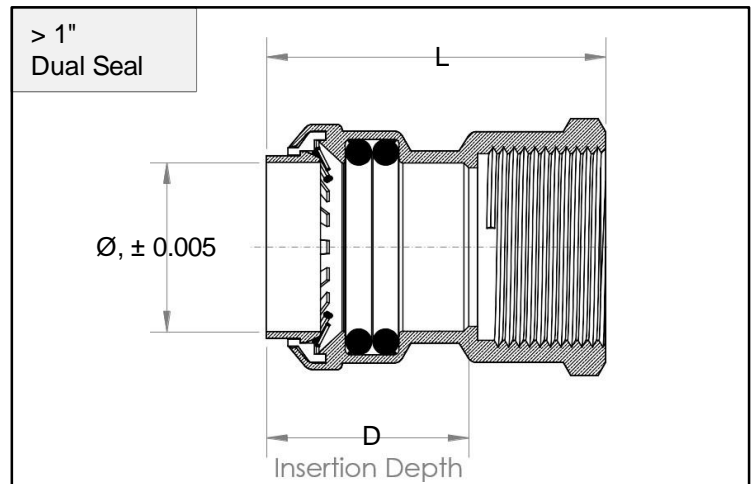
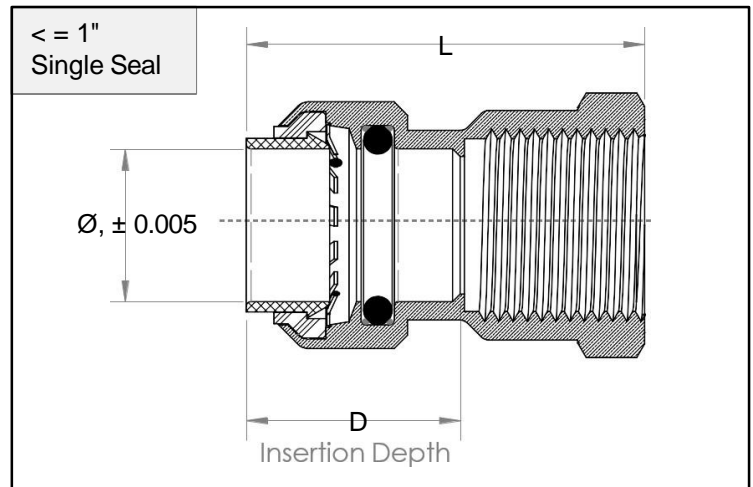
## MATERIALS & SPECIFICATIONS

#	Component	Material	
		<= 1"	> 1"
1	Body	Lead Free Brass	Lead Free Brass
2	Seat Ring	POM	Lead Free Brass
3	Push Ring	POM	Lead Free Brass
4	Grip ring	Stainless Steel	Stainless Steel
5	O-Ring Seal	EPDM70	EPDM70



## DIMENSIONS

#	Ø	D	L
MLU882FLF	<b>TBD</b>	<b>TBD</b>	<b>TBD</b>
MLU069LF	0.515	0.81	1.53
MLU072LF	0.64	1	1.68
MLU088LF	0.88	1.06	1.97
MLU094LF	1.142	1.31	2.14
MLU069LF-S	0.515	0.81	1.53
MLU072LF-S	0.64	1	1.68
MLU088LF-S	0.88	1.06	1.97
MLU094LF-S	1.142	1.31	2.14



Contact your sales representative for more information or visit our website at [mainlinecollection.com](http://mainlinecollection.com)



**MAINLINE®**

# Push Connect® Brass Stop Valve Tees

## Product Specifications

### PRODUCT FEATURES

- Forged Lead Free\* Brass
- Maximum Working Pressure: 200 PSI
- Maximum Temperature Rating: 200° F
- Compatible with Copper, CPVC, PEX & PE-RT
- Replaceable O-Ring Seal Design
- Removable and Reusable
- Push to Connect
- Full Flow
- Available with Pre-Inserted Stiffener



### APPROVED APPLICATIONS

- Plumbing
- Heating
- Irrigation
- Underground
- Hydronic Heating
- Behind Walls without Access Panel

*NOTE: When using PEX, a tube stiffener should be inserted into the PEX tubing end prior to insertion into the fitting.*

✓ To Submit	Part #	Size
	ML24983LF	1/2" x 1/2" x 1/4" OD
	ML24984LF	1/2" x 1/2" x 3/8" OD
	ML25558LF	1/2" x 3/8" OD x 3/8" OD
	ML974SLF	1/2" x 5/8" OD
	ML24987LF	1/2" x 1/2" x 1/4"
	ML24983LF-S	1/2" x 1/2" x 1/4" OD w/ Stiffener
	ML24984LF-S	1/2" x 1/2" x 3/8" OD w/ Stiffener
	ML25558LF-S	1/2" x 3/8" OD x 3/8" OD w/ Stiffener
	ML974SLF-S	1/2" x 5/8" OD w/ Stiffener
	ML24987LF-S	1/2" x 1/2" x 1/4" w/Stiffener

### FORCES FOR MECHANICAL SEPARATION TEST

Nominal Size		Longitudinal (Pull) Test	
Inches	mm	Lbf	N
3/8 or <	10 or <	100	444.8
1/2	13	150	667

### Warranty

See warranty information for more details.

All dimensions listed are nominal. MAINLINE® reserves the right to make product and material changes at any time without notice.



\*≤.25% Pb

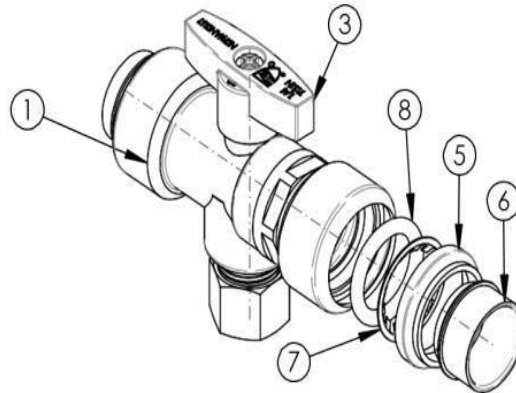
**Contact your sales representative for more information or visit our website at [mainlinecollection.com](http://mainlinecollection.com)**

# Push Connect® Brass Stop Valve Tees

## Product Specifications

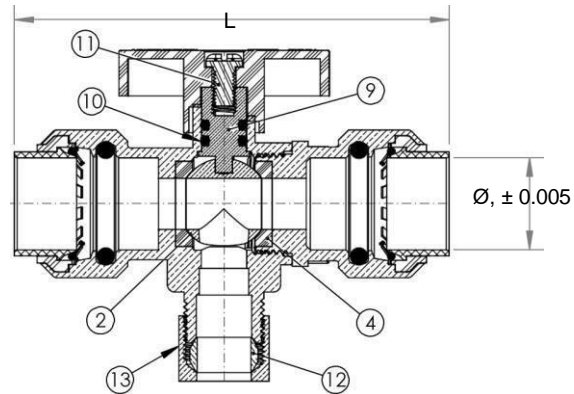
### MATERIALS & SPECIFICATIONS

#	Component	Material
1	Body	LF Brass / Chrome Plated
2	Ball	Chrome Plated
3	Handle	Chrome Plated
4	Seat	Nylon
5	Retaining Ring	POM
6	Release Ring	POM
7	Grip Ring	Stainless Steel
8	O-ring	EPDM
9	Stem	Lead Free Brass
10	Stem Seal	NBR
11	Screw	Stainless Steel
12	Ring	Lead Free Brass
13	Head Nut	Chrome Plated Brass



### DIMENSIONS

#	Ø	H
ML24983LF	0.64	3.01
ML24984LF	0.64	3.02
ML25558LF	TBD	TBD
ML974SLF	TBD	TBD
ML24987LF	TBD	TBD
ML24983LF-S	0.64	3.01
ML24984LF-S	0.64	3.02
ML25558LF-S	TBD	TBD
ML974SLF-S	TBD	TBD
ML24987LF-S	TBD	TBD



### Warranty

See warranty information for more details.

All dimensions listed are nominal. MAINLINE® reserves the right to make product and material changes at any time without notice.

Contact your sales representative for more information or visit our website at [mainlinecollection.com](http://mainlinecollection.com)



# Push Connect<sup>®</sup> Brass FIP Slip Repair Tees

## Product Specifications

**MAINLINE<sup>®</sup>**

### PRODUCT FEATURES

- Forged Lead Free\* Brass
- Maximum Working Pressure: 200 PSI
- Maximum Temperature Rating: 200° F
- Compatible with Copper, CPVC, PEX & PE-RT
- Replaceable O-Ring Seal Design
- Removable and Reusable
- Push to Connect
- Full Flow
- Available with Pre-Inserted Stiffener

### APPROVED APPLICATIONS

- Plumbing
- Heating
- Irrigation
- Underground
- Hydronic Heating
- Behind Walls without Access Panel

*NOTE: When using PEX, a tube stiffener should be inserted into the PEX tubing end prior to insertion into the fitting.*

### MATERIALS & SPECIFICATIONS

#	Component	Material
1	Body	Lead Free Brass
2	Seat Ring	POM
3	Push Ring	POM
4	Grip ring	Stainless Steel
5	O-Ring Seal	EPDM70

### DIMENSIONS

#	Ø	D	L
MLU3482LF	0.64	1	4.43
MLU3486LF	0.88	1.06	4.92
MLU3482LF-S	0.64	1	4.43
MLU3486LF-S	0.88	1.06	4.92

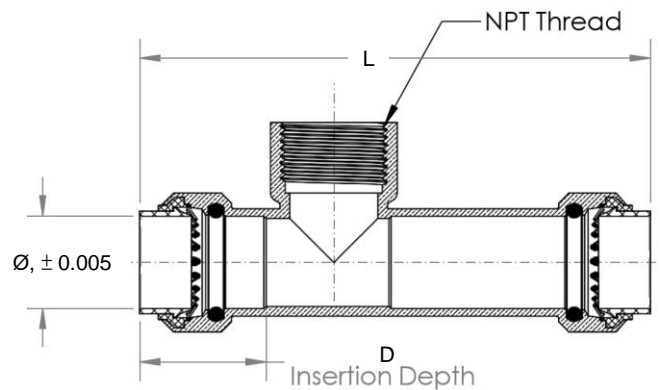
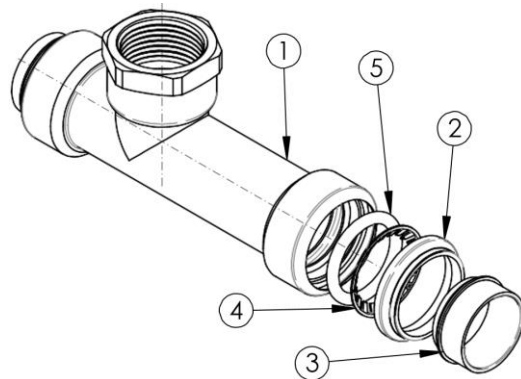
✓ To Submit	Part #	Size
	MLU3482LF	1/2" x 1/2" x 1/2"
	MLU3486LF	3/4" x 3/4" x 3/4"
	MLU3482LF-S	1/2" x 1/2" x 1/2" w/ Stiffener
	MLU3486LF-S	3/4" x 3/4" x 3/4" w/ Stiffener

### Warranty

See warranty information for more details.

All dimensions listed are nominal. MAINLINE<sup>®</sup> reserves the right to make product and material changes at any time without notice.

**Contact your sales representative for more information or visit our website at [mainlinecollection.com](http://mainlinecollection.com)**



### FORCES FOR MECHANICAL SEPARATION TEST

Nominal Size	Longitudinal (Pull) Test		
	Inches	mm	Lbf
1/2	13	150	667
3/4	19	275	1223.2





# Push Connect® Brass MIP Adapters

Product Specifications

Page 1 of 2

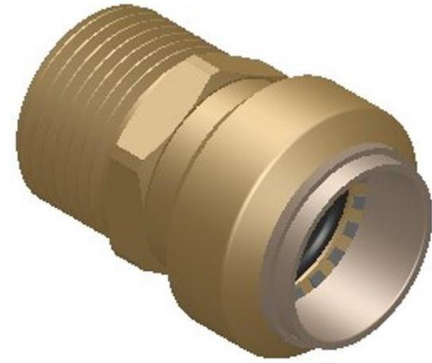
## PRODUCT FEATURES

- Forged Lead Free\* Brass
- Maximum Working Pressure: 200 PSI
- Maximum Temperature Rating: 200° F
- Compatible with Copper, CPVC, PEX & PE-RT
- Replaceable O-Ring Seal Design
- Removable and Reusable
- Push to Connect
- Full Flow
- Available with Pre-Inserted Stiffener
- Dual Seal on Sizes 1-1/4" and Larger

## APPROVED APPLICATIONS

- Plumbing
- Heating
- Irrigation
- Underground
- Hydronic Heating
- Behind Walls without Access Panel

*NOTE: When using PEX, a tube stiffener should be inserted into the PEX tubing end prior to insertion into the fitting.*



## FORCES FOR MECHANICAL SEPARATION TEST

Nominal Size		Longitudinal (Pull) Test	
Inches	mm	Lbf	N
3/8 or <	10 or <	100	444.8
1/2	13	150	667
3/4	19	275	1223.2
1	25	475	2112.8

✓To Submit	Part #	Size
	MLU882MLF	1/4" x 1/4"
	MLU112LF	3/8" x 3/8"
	MLU120LF	1/2" x 1/2"
	MLU134LF	3/4" x 3/4"
	MLU140LF	1" x 1"
	MLU112LF-S	3/8" x 3/8" w/ Stiffener
	MLU120LF-S	1/2" x 1/2" w/ Stiffener
	MLU134LF-S	3/4" x 3/4" w/ Stiffener
	MLU140LF-S	1" x 1" w/ Stiffener

## Warranty

See warranty information for more details.

All dimensions listed are nominal. MAINLINE® reserves the right to make product and material changes at any time without notice.



**Contact your sales representative for more information or visit our website at [mainlinecollection.com](http://mainlinecollection.com)**

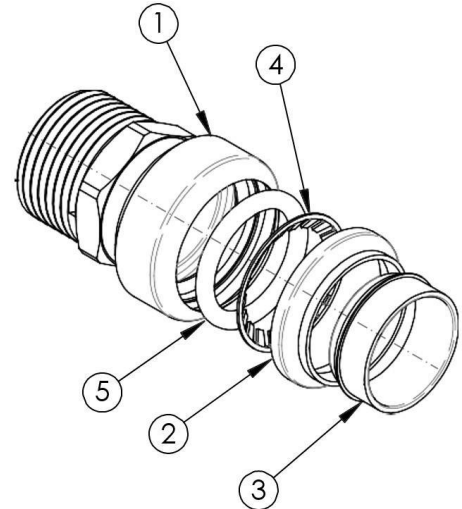
# Push Connect<sup>®</sup> Brass MIP Adapters

Product Specifications

Page 2 of 2

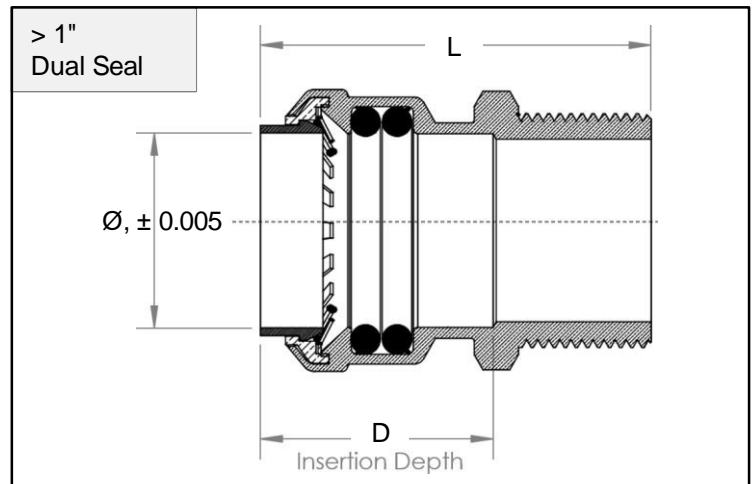
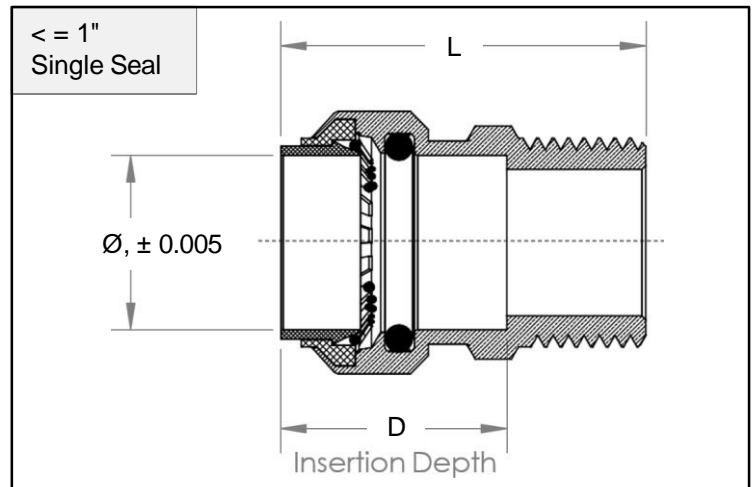
## MATERIALS & SPECIFICATIONS

#	Component	Material	
		<= 1"	> 1"
1	Body	Lead Free Brass	Lead Free Brass
2	Seat Ring	POM	Lead Free Brass
3	Push Ring	POM	Lead Free Brass
4	Grip ring	Stainless Steel	Stainless Steel
5	O-Ring Seal	EPDM70	EPDM70



## DIMENSIONS

#	Ø	D	L
MLU882MLF	<b>TBD</b>	<b>TBD</b>	<b>TBD</b>
MLU112LF	0.515	0.81	1.54
MLU120LF	0.64	1	1.71
MLU134LF	0.88	1.06	1.89
MLU140LF	1.142	1.31	2.03
MLU112LF-S	0.515	0.81	1.54
MLU120LF-S	0.64	1	1.71
MLU134LF-S	0.88	1.06	1.89
MLU140LF-S	1.142	1.31	2.03



Contact your sales representative for more information or visit our website at [mainlinecollection.com](http://mainlinecollection.com)



# Push Connect® Brass 90 Degree Elbows

Product Specifications

Page 1 of 2

MAINLINE®

## PRODUCT FEATURES

- Forged Lead Free\* Brass
- Maximum Working Pressure: 200 PSI
- Maximum Temperature Rating: 200° F
- Compatible with Copper, CPVC, PEX & PE-RT
- Replaceable O-Ring Seal Design
- Removable and Reusable
- Push to Connect
- Full Flow
- Available with Pre-Inserted Stiffener
- Dual Seal on Sizes 1-1/4" and Larger

## APPROVED APPLICATIONS

- Plumbing
- Heating
- Irrigation
- Underground
- Hydronic Heating
- Behind Walls without Access Panel

NOTE: When using PEX, a tube stiffener should be inserted into the PEX tubing end prior to insertion into the fitting.



## FORCES FOR MECHANICAL SEPARATION TEST

Nominal Size		Longitudinal (Pull) Test	
Inches	mm	Lbf	N
3/8 or <	10 or <	100	444.8
1/2	13	150	667
3/4	19	275	1223.2
1	25	475	2112.8

✓To Submit	Part #	Size
	MLU244LF	1/4" x 1/4"
	MLU246LF	3/8" x 3/8"
	MLU248LF	1/2" x 1/2"
	MLU256LF	3/4" x 3/4"
	MLU260LF	1" x 1"
	MLU246LF-S	3/8" x 3/8" w/ Stiffener
	MLU248LF-S	1/2" x 1/2" w/ Stiffener
	MLU256LF-S	3/4" x 3/4" w/ Stiffener
	MLU260LF-S	1" x 1" w/ Stiffener

## Warranty

See warranty information for more details.

All dimensions listed are nominal. MAINLINE® reserves the right to make product and material changes at any time without notice.



Contact your sales representative for more information or visit our website at [mainlinecollection.com](http://mainlinecollection.com)



# Push Connect® Brass 90 Degree Elbows

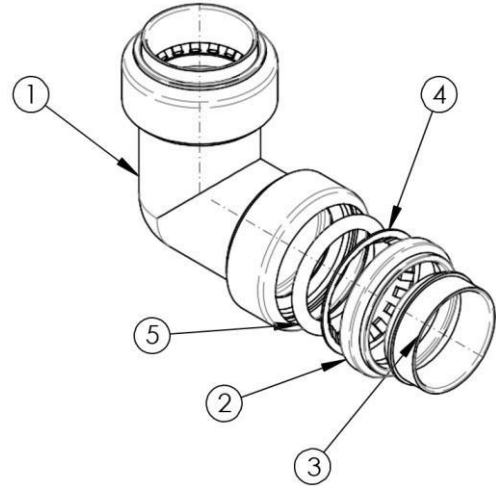
Product Specifications

Page 2 of 2

**MAINLINE®**

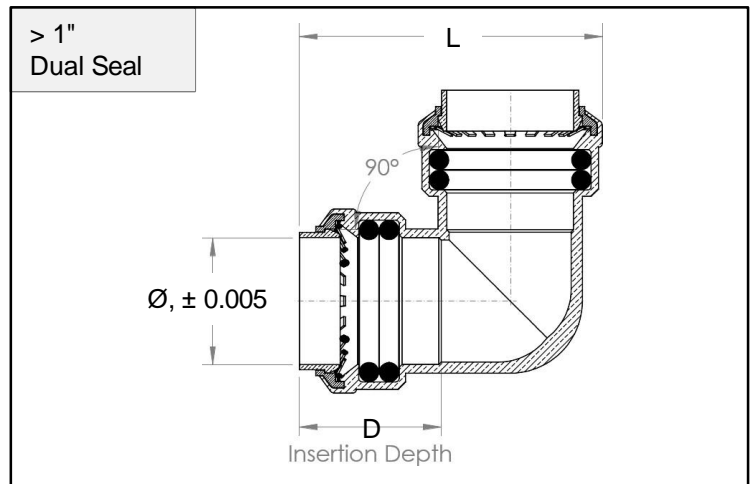
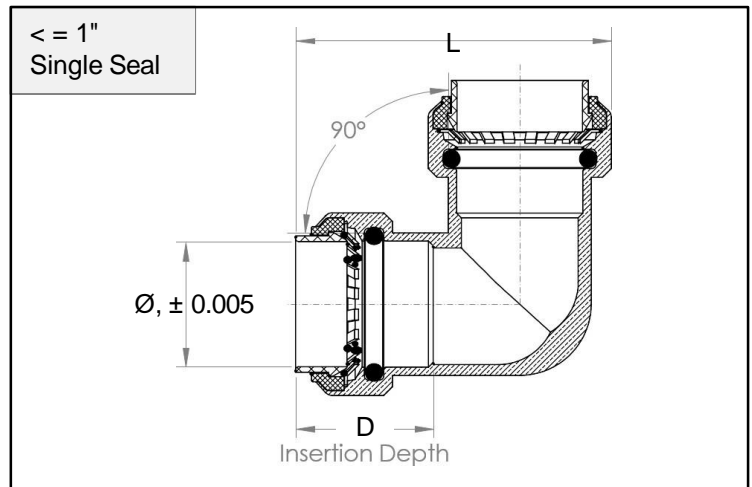
## MATERIALS & SPECIFICATIONS

#	Component	Material	
		<= 1"	> 1"
1	Body	Lead Free Brass	Lead Free Brass
2	Seat Ring	POM	Lead Free Brass
3	Push Ring	POM	Lead Free Brass
4	Grip ring	Stainless Steel	Stainless Steel
5	O-Ring Seal	EPDM70	EPDM70



## DIMENSIONS

#	Ø	D	L
MLU244LF	<b>TBD</b>	<b>TBD</b>	<b>TBD</b>
MLU246LF	0.515	0.81	1.58
MLU248LF	0.64	1	1.86
MLU256LF	0.88	1.06	1.87
MLU260LF	1.142	1.31	2.8
MLU246LF-S	0.515	0.81	1.58
MLU248LF-S	0.64	1	1.86
MLU256LF-S	0.88	1.06	1.87
MLU260LF-S	1.142	1.31	2.8



Contact your sales representative for more information or visit our website at [mainlinecollection.com](http://mainlinecollection.com)

# Push Connect<sup>®</sup> Brass Tees

Product Specifications

Page 1 of 2

## PRODUCT FEATURES

- Forged Lead Free\* Brass
- Maximum Working Pressure: 200 PSI
- Maximum Temperature Rating: 200° F
- Compatible with Copper, CPVC, PEX & PE-RT
- Replaceable O-Ring Seal Design
- Removable and Reusable
- Push to Connect
- Full Flow
- Available with Pre-Inserted Stiffener
- Dual Seal on Sizes 1-1/4" and Larger

## APPROVED APPLICATIONS

- Plumbing
- Heating
- Irrigation
- Underground
- Hydronic Heating
- Behind Walls without Access Panel



*NOTE: When using PEX, a tube stiffener should be inserted into the PEX tubing end prior to insertion into the fitting.*

## FORCES FOR MECHANICAL SEPARATION TEST

Nominal Size		Longitudinal (Pull) Test	
Inches	mm	Lbf	N
3/8 or <	10 or <	100	444.8
1/2	13	150	667
3/4	19	275	1223.2
1	25	475	2112.8

✓To Submit	Part #	Size
	MLU358LF	1/4" x 1/4"
	MLU360LF	3/8" x 3/8" x 3/8"
	MLU362LF	1/2" x 1/2" x 1/2"
	MLU370LF	3/4" x 3/4" x 3/4"
	MLU374LF	1" x 1" x 1"
	MLU360LF-S	3/8" x 3/8" x 3/8" w/ Stiffener
	MLU362LF-S	1/2" x 1/2" x 1/2" w/ Stiffener
	MLU370LF-S	3/4" x 3/4" x 3/4" w/ Stiffener
	MLU374LF-S	1" x 1" x 1" w/ Stiffener

## Warranty

See warranty information for more details.

All dimensions listed are nominal. MAINLINE<sup>®</sup> reserves the right to make product and material changes at any time without notice.



**Contact your sales representative for more information or visit our website at [mainlinecollection.com](http://mainlinecollection.com)**

# Push Connect® Brass Tees

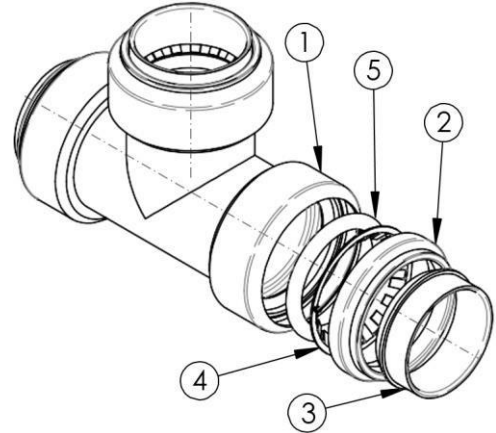
Product Specifications

Page 2 of 2



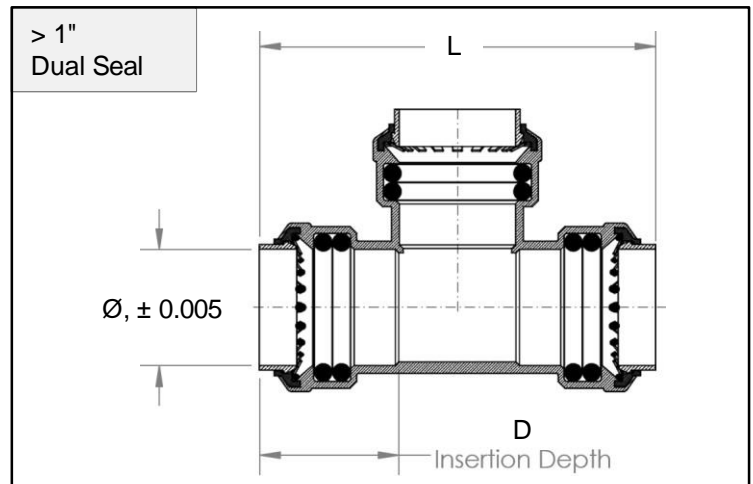
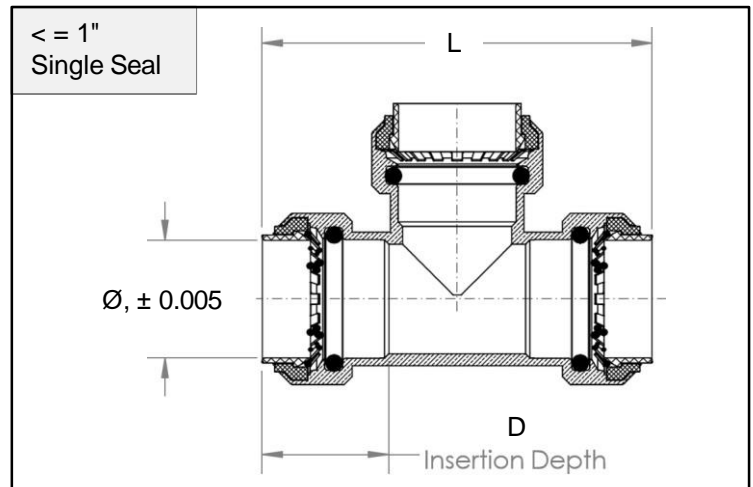
## MATERIALS & SPECIFICATIONS

#	Component	Material	
		<= 1"	> 1"
1	Body	Lead Free Brass	Lead Free Brass
2	Seat Ring	POM	Lead Free Brass
3	Push Ring	POM	Lead Free Brass
4	Grip ring	Stainless Steel	Stainless Steel
5	O-Ring Seal	EPDM70	EPDM70



## DIMENSIONS

#	Ø	D	L
MLU358LF	<b>TBD</b>	<b>TBD</b>	<b>TBD</b>
MLU360LF	0.515	0.81	2.34
MLU362LF	0.64	1	2.76
MLU370LF	0.88	1.06	3.39
MLU374LF	1.142	1.31	3.9
MLU360LF-S	0.515	0.81	2.34
MLU362LF-S	0.64	1	2.76
MLU370LF-S	0.88	1.06	3.39
MLU374LF-S	1.142	1.31	3.9



Contact your sales representative for more information or visit our website at [mainlinecollection.com](http://mainlinecollection.com)



# Push Connect® Brass Reducing Tees

Product Specifications

Page 1 of 2

**MAINLINE®**

## PRODUCT FEATURES

- Forged Lead Free\* Brass
- Maximum Working Pressure: 200 PSI
- Maximum Temperature Rating: 200° F
- Compatible with Copper, CPVC, PEX & PE-RT
- Replaceable O-Ring Seal Design
- Removable and Reusable
- Push to Connect
- Full Flow
- Available with Pre-Inserted Stiffener

## APPROVED APPLICATIONS

- Plumbing
- Heating
- Irrigation
- Underground
- Hydronic Heating
- Behind Walls without Access Panel

*NOTE: When using PEX, a tube stiffener should be inserted into the PEX tubing end prior to insertion into the fitting.*

## MATERIALS & SPECIFICATIONS

#	Component	Material
1	Body	Lead Free Brass
2	Seat Ring	POM
3	Push Ring	POM
4	Grip ring	Stainless Steel
5	O-Ring Seal	EPDM70

✓To Submit	Part #	Size Left x Right x Tee
	MLU364LF	3/8" x 3/8" x 1/2"
	MLU363LF	1/2" x 1/2" x 3/8"
	MLU412LF	3/4" x 3/4" x 1/2"
	MLU444LF	3/4" x 1/2" x 3/4"
	MLU454LF	3/4" x 1/2" x 1/2"
	MLU416LF	1" x 1" x 3/4"
	MLU364LF-S	3/8" x 3/8" x 1/2" w/ Stiffener
	MLU363LF-S	1/2" x 1/2" x 3/8" w/ Stiffener
	MLU412LF-S	3/4" x 3/4" x 1/2" w/ Stiffener
	MLU444LF-S	3/4" x 1/2" x 3/4" w/ Stiffener
	MLU454LF-S	3/4" x 1/2" x 1/2" w/ Stiffener
	MLU416LF-S	1" x 1" x 3/4" w/ Stiffener



MLU412LF



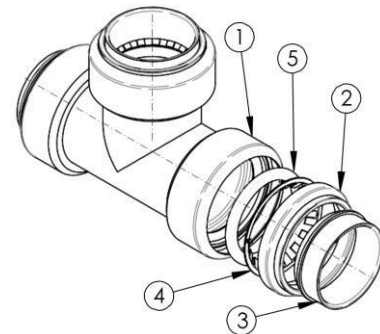
MLU444LF



MLU454LF



MLU416LF



## FORCES FOR MECHANICAL SEPARATION TEST

Nominal Size		Longitudinal (Pull) Test	
Inches	mm	Lbf	N
1/2	13	150	667
3/4	19	275	1223.2
1	25	475	2112.8

## Warranty

See warranty information for more details.

All dimensions listed are nominal. MAINLINE® reserves the right to make product and material changes at any time without notice.



Contact your sales representative for more information or visit our website at [mainlinecollection.com](http://mainlinecollection.com)



# Push Connect® Brass Reducing Tees

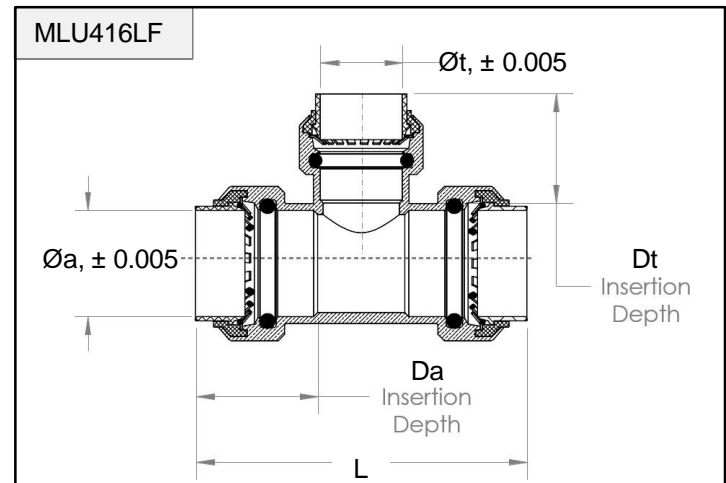
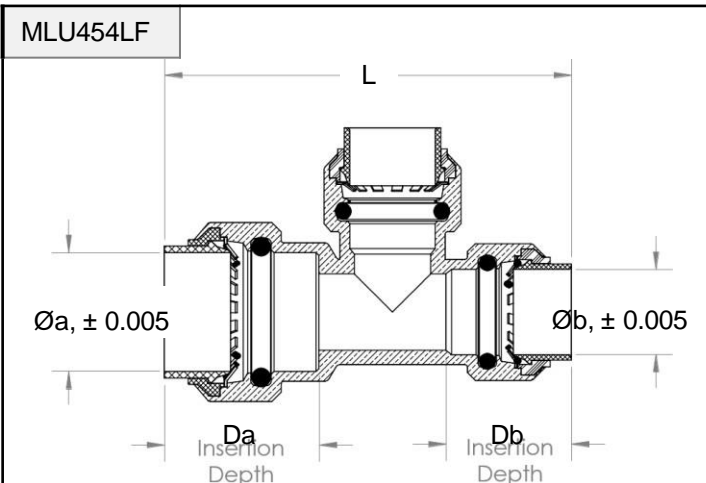
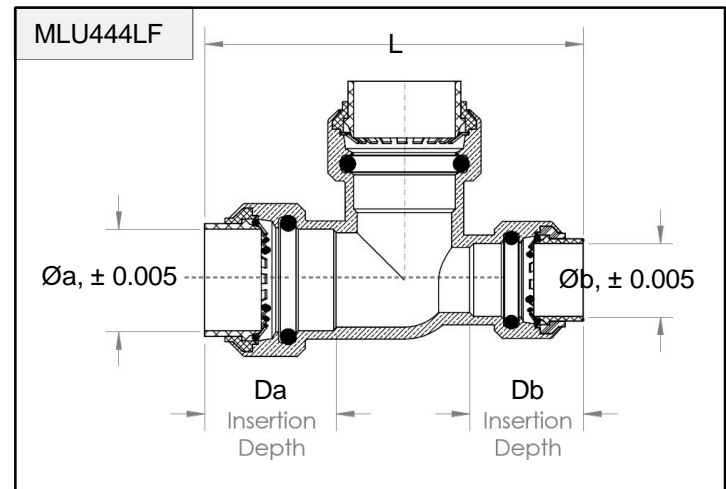
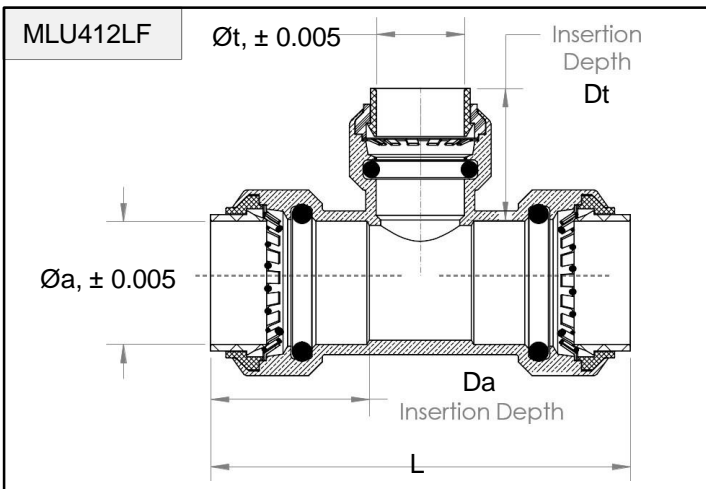
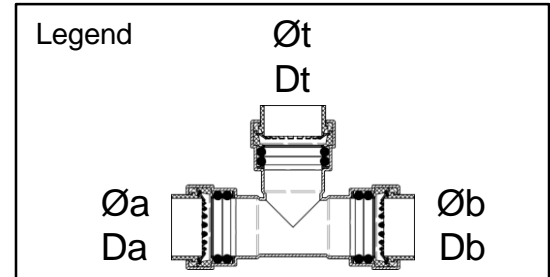
Product Specifications

Page 2 of 2

MAINLINE®

## DIMENSIONS

#	Øa	Øb	Øt	Da	Db	Dt	L
MLU364LF	TBD	TBD	TBD	TBD	TBD	TBD	TBD
MLU363LF	TBD	TBD	TBD	TBD	TBD	TBD	TBD
MLU412LF	0.88	0.88	0.64	1.06	1.06	1	3.03
MLU444LF	0.88	0.64	0.88	1.06	1	1.06	3.31
MLU454LF	0.88	0.64	0.64	1.06	1	1	3.02
MLU416LF	1.142	1.142	0.88	1.31	1.31	1.06	3.39
MLU364LF-S	TBD	TBD	TBD	TBD	TBD	TBD	TBD
MLU363LF-S	TBD	TBD	TBD	TBD	TBD	TBD	TBD
MLU412LF-S	0.88	0.88	0.64	1.06	1.06	1	3.03
MLU444LF-S	0.88	0.64	0.88	1.06	1	1.06	3.31
MLU454LF-S	0.88	0.64	0.64	1.06	1	1	3.02
MLU416LF-S	1.142	1.142	0.88	1.31	1.31	1.06	3.39



Contact your sales representative for more information or visit our website at [mainlinecollection.com](http://mainlinecollection.com)



# Push Connect® Brass End Stops

Product Specifications

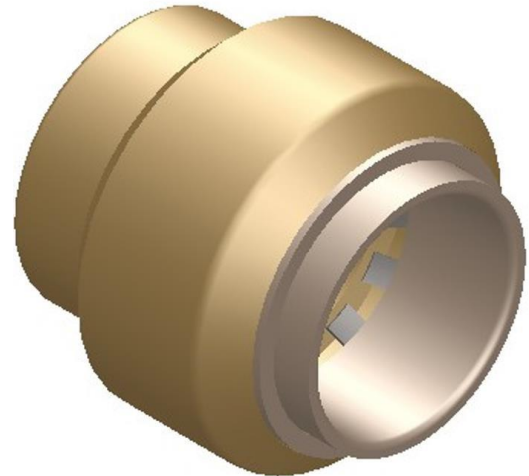
Page 1 of 2

## PRODUCT FEATURES

- Forged Lead Free\* Brass
- Maximum Working Pressure: 200 PSI
- Maximum Temperature Rating: 200° F
- Compatible with Copper, CPVC, PEX & PE-RT
- Replaceable O-Ring Seal Design
- Removable and Reusable
- Push to Connect
- Full Flow
- Available with Pre-Inserted Stiffener
- Dual Seal on Sizes 1-1/4" and Larger

## APPROVED APPLICATIONS

- Plumbing
- Heating
- Irrigation
- Underground
- Hydronic Heating
- Behind Walls without Access Panel



*NOTE: When using PEX, a tube stiffener should be inserted into the PEX tubing end prior to insertion into the fitting.*

## FORCES FOR MECHANICAL SEPARATION TEST

Nominal Size		Longitudinal (Pull) Test	
Inches	mm	Lbf	N
3/8 or <	10 or <	100	444.8
1/2	13	150	667
3/4	19	275	1223.2
1	25	475	2112.8

✓To Submit	Part #	Size
	MLU886RLF	1/4"
	MLU512LF	3/8"
	MLU514LF	1/2"
	MLU518LF	3/4"
	MLU520LF	1"
	MLU512LF-S	3/8" w/ Stiffener
	MLU514LF-S	1/2" w/ Stiffener
	MLU518LF-S	3/4" w/ Stiffener
	MLU520LF-S	1" w/ Stiffener

## Warranty

See warranty information for more details.

All dimensions listed are nominal. MAINLINE® reserves the right to make product and material changes at any time without notice.



**Contact your sales representative for more information or visit our website at [mainlinecollection.com](http://mainlinecollection.com)**



# Push Connect<sup>®</sup> Brass End Stops

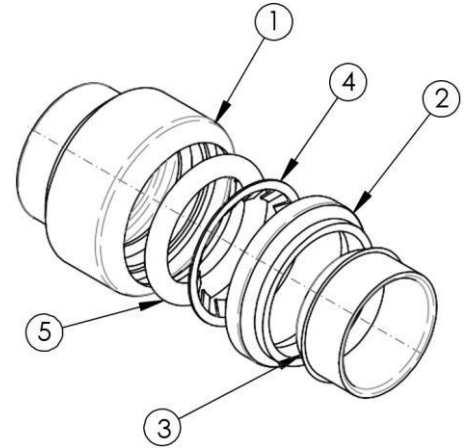
Product Specifications

Page 2 of 2

**MAINLINE<sup>®</sup>**

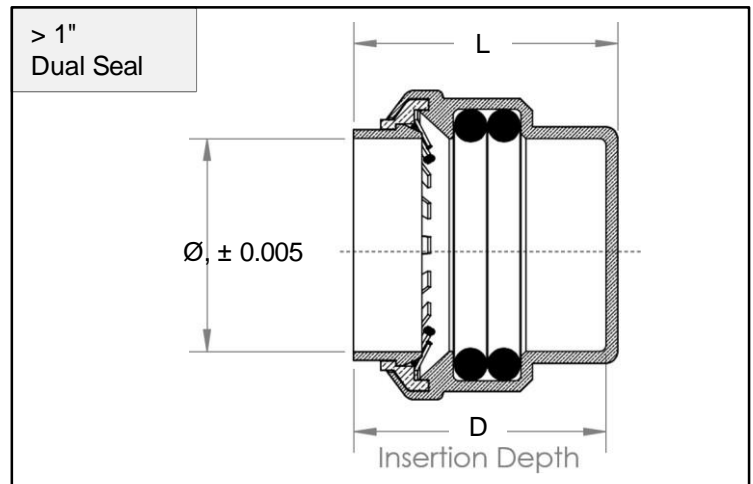
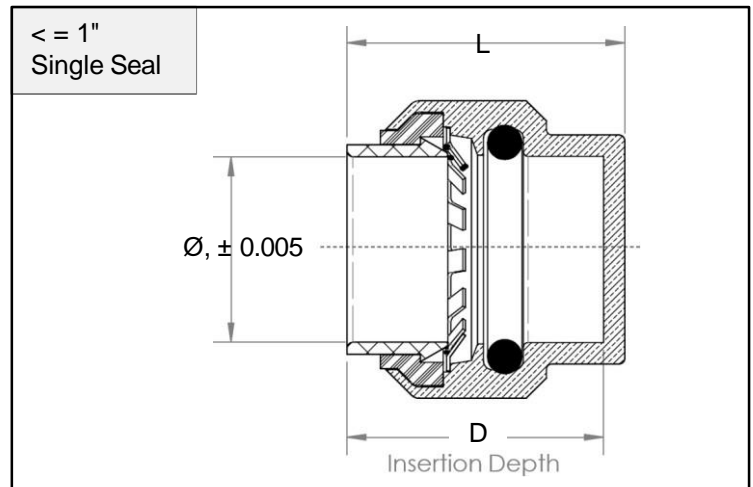
## MATERIALS & SPECIFICATIONS

#	Component	Material	
		<= 1"	> 1"
1	Body	Lead Free Brass	Lead Free Brass
2	Seat Ring	POM	Lead Free Brass
3	Push Ring	POM	Lead Free Brass
4	Grip ring	Stainless Steel	Stainless Steel
5	O-Ring Seal	EPDM70	EPDM70



## DIMENSIONS

#	Ø	D	L
MLU886RLF	<b>TBD</b>	<b>TBD</b>	<b>TBD</b>
MLU512LF	0.515	0.81	0.948
MLU514LF	0.64	1	0.95
MLU518LF	0.88	1.06	1.28
MLU520LF	1.142	1.31	1.37
MLU512LF-S	0.515	0.81	0.948
MLU514LF-S	0.64	1	0.95
MLU518LF-S	0.88	1.06	1.28
MLU520LF-S	1.142	1.31	1.37



Contact your sales representative for more information or visit our website at [mainlinecollection.com](http://mainlinecollection.com)



**MAINLINE®**

# Push Connect® Brass Full Port Ball Valves

## Product Specifications

### PRODUCT FEATURES

- Forged Lead Free\* Brass
- Maximum Working Pressure: 200 PSI
- Maximum Temperature Rating: 200° F
- Compatible with Copper, CPVC, PEX & PE-RT
- Replaceable O-Ring Seal Design
- Removable and Reusable
- Push to Connect
- Full Flow
- Available with Pre-Inserted Stiffener



### APPROVED APPLICATIONS

- Plumbing
- Heating
- Irrigation
- Underground
- Hydronic Heating
- Behind Walls without Access Panel

*NOTE: When using PEX, a tube stiffener should be inserted into the PEX tubing end prior to insertion into the fitting.*

### FORCES FOR MECHANICAL SEPARATION TEST

Nominal Size	Longitudinal (Pull) Test		
	Inches	mm	Lbf
1/2	13	150	667
3/4	19	275	1223.2
1	25	475	2112.8

✓To Submit	Part #	Size
	ML902LF	3/8" x 3/8"
	ML22222LF	1/2" x 1/2"
	ML22185LF	3/4" x 3/4"
	ML22186LF	3/4" x 3/4" (FIP)
	ML22223LF	1" x 1"
	ML22305LF	3/4" x 3/4" w/Drain
	ML902LF-S	3/8" x 3/8" w/ Stiffener
	ML22222LF-S	1/2" x 1/2" w/ Stiffener
	ML22185LF-S	3/4" x 3/4" w/ Stiffener
	ML22186LF-S	3/4" x 3/4" (FIP) w/ Stiffener
	ML22223LF-S	1" x 1" w/ Stiffener
	ML22305LF-S	3/4" x 3/4" w/Drain w/ Stiffener

### Warranty

See warranty information for more details.

All dimensions listed are nominal. MAINLINE® reserves the right to make product and material changes at any time without notice.



\*≤ .25% Pb

**Contact your sales representative for more information or visit our website at [mainlinecollection.com](http://mainlinecollection.com)**



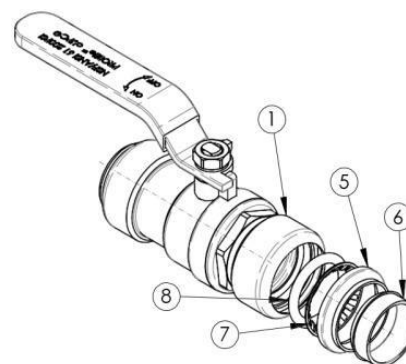
# Push Connect<sup>®</sup> Brass Full Port Ball Valves

## Product Specifications

MAINLINE<sup>®</sup>

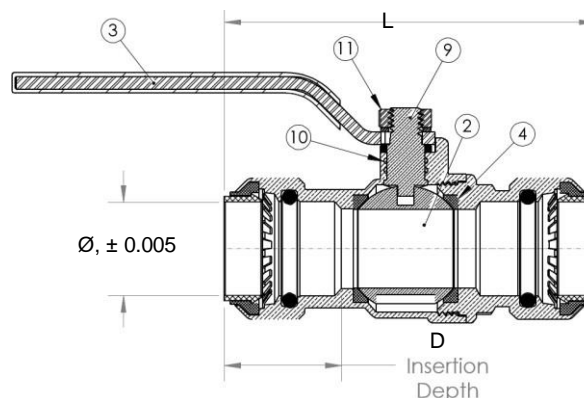
### MATERIALS & SPECIFICATIONS

#	Component	Material
1	Body	Lead Free Brass
2	Ball	Chrome Plated
3	Handle	Chrome Plated
4	Seat	Nylon
5	Retaining Ring	POM
6	Release Ring	POM
7	Grip Ring	Stainless Steel
8	O-ring	EPDM
9	Stem	Lead Free Brass
10	Stem Seal	NBR
11	Nut	Stainless Steel



### DIMENSIONS

#	Ø	D	L
MLU902LF	TBD	TBD	TBD
ML22222LF	0.64	1	2.95
ML22185LF	0.88	1.06	3.69
ML22186LF	TBD	TBD	TBD
ML22223LF	1.142	1.31	3.96
ML22305LF	TBD	TBD	TBD
ML902LF-S	TBD	TBD	TBD
ML22222LF-S	0.64	1	2.95
ML22185LF-S	0.88	1.06	3.69
ML22186LF-S	TBD	TBD	TBD
ML22223LF-S	1.142	1.31	3.96
ML22305LF-S	TBD	TBD	TBD



### Warranty

See warranty information for more details.

All dimensions listed are nominal. MAINLINE<sup>®</sup> reserves the right to make product and material changes at any time without notice.

Contact your sales representative for more information or visit our website at [mainlinecollection.com](http://mainlinecollection.com)



# Push Connect<sup>®</sup> Brass Slip Repair Couplings

Product Specifications

Page 1 of 2

MAINLINE<sup>®</sup>

## PRODUCT FEATURES

- Forged Lead Free\* Brass
- Maximum Working Pressure: 200 PSI
- Maximum Temperature Rating: 200° F
- Compatible with Copper, CPVC, PEX & PE-RT
- Replaceable O-Ring Seal Design
- Removable and Reusable
- Push to Connect
- Full Flow
- Available with Pre-Inserted Stiffener

## APPROVED APPLICATIONS

- Plumbing
- Heating
- Irrigation
- Underground
- Hydronic Heating
- Behind Walls without Access Panel

*NOTE: When using PEX, a tube stiffener should be inserted into the PEX tubing end prior to insertion into the fitting.*



## FORCES FOR MECHANICAL SEPARATION TEST

Nominal Size		Longitudinal (Pull) Test	
Inches	mm	Lbf	N
1/2	13	150	667
3/4	19	275	1223.2
1	25	475	2112.8

✓ To Submit	Part #	Size
	MLU3008LF	1/2" x 1/2"
	MLU3016LF	3/4" x 3/4"
	MLU3020LF	1" x 1"
	MLU3008LF-S	1/2" x 1/2" w/ Stiffener
	MLU3016LF-S	3/4" x 3/4" w/ Stiffener
	MLU3020LF-S	1" x 1" w/ Stiffener

## Warranty

See warranty information for more details.

All dimensions listed are nominal. MAINLINE<sup>®</sup> reserves the right to make product and material changes at any time without notice.



Contact your sales representative for more information or visit our website at [mainlinecollection.com](http://mainlinecollection.com)

# Push Connect® Brass Slip Repair Couplings

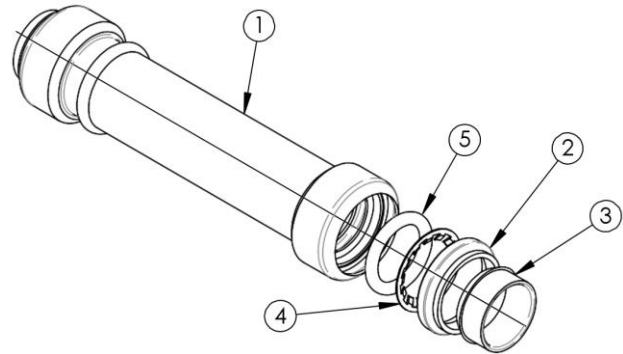
Product Specifications

Page 2 of 2



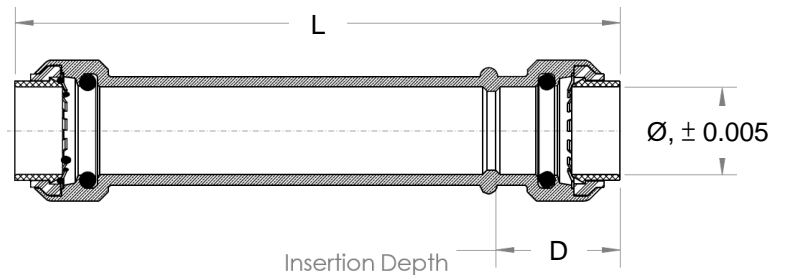
## MATERIALS & SPECIFICATIONS

#	Component	Material
1	Body	Lead Free Brass
2	Seat Ring	POM
3	Push Ring	POM
4	Grip ring	Stainless Steel
5	O-Ring Seal	EPDM70



## DIMENSIONS

#	Ø	D	L
MLU3008LF	0.64	1	4.43
MLU3016LF	0.88	1.06	4.37
MLU3020LF	1.142	1.31	4.49
MLU3008LF-S	0.64	1	4.43
MLU3016LF-S	0.88	1.06	4.37
MLU3020LF-S	1.142	1.31	4.49



Contact your sales representative for more information or visit our website at [mainlinecollection.com](http://mainlinecollection.com)

Revised 9/26/2017



# Push Connect<sup>®</sup> Brass Check Valves

## Product Specifications

**MAINLINE<sup>®</sup>**

### PRODUCT FEATURES

- Forged Lead Free\* Brass
- Maximum Working Pressure: 200 PSI
- Maximum Temperature Rating: 200° F
- Compatible with Copper, CPVC, PEX & PE-RT
- Replaceable O-Ring Seal Design
- Removable and Reusable
- Push to Connect
- Full Flow
- Available with Pre-Inserted Stiffener

### APPROVED APPLICATIONS

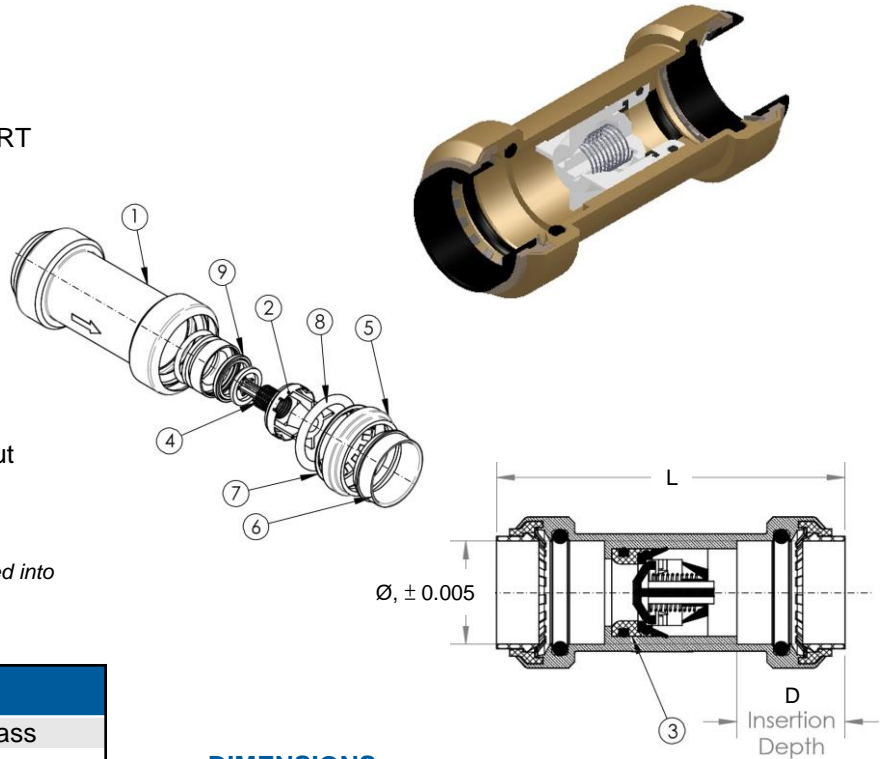
- Plumbing
- Heating
- Irrigation
- Underground
- Hydronic Heating
- Behind Walls without Access Panel

*NOTE: When using PEX, a tube stiffener should be inserted into the PEX tubing end prior to insertion into the fitting.*

### MATERIALS & SPECIFICATIONS

#	Component	Material
1	Main Body	Lead Free Brass
2	Check Body #1	PTFE
3	Check Body #2	PTFE
4	Spring	Stainless Steel
5	Seat Ring	POM
6	Push Ring	POM
7	Grip Ring	Stainless Steel
8	O-Ring Seal	EPDM70
9	O-Ring Seal	EPDM70

✓ To Submit	Part #	Size
	MLU2008LF	1/2" x 1/2"
	MLU2016LF	3/4" x 3/4"
	MLU2020LF	1" x 1"
	MLU2008LF-S	1/2" x 1/2" w/ Stiffener
	MLU2016LF-S	3/4" x 3/4" w/ Stiffener
	MLU2020LF-S	1" x 1" w/ Stiffener



### DIMENSIONS

#	Ø	D	L
MLU2008LF	0.64	1	2.62
MLU2016LF	0.88	1.06	3.25
MLU2020LF	1.142	1.31	3.91
MLU2008LF-S	0.64	1	2.62
MLU2016LF-S	0.88	1.06	3.25
MLU2020LF-S	1.142	1.31	3.91

### FORCES FOR MECHANICAL SEPARATION TEST

Nominal Size		Longitudinal (Pull) Test	
Inches	mm	Lbf	N
1/2	13	150	667
3/4	19	275	1223.2
1	25	475	2112.8

### Warranty

See warranty information for more details.

All dimensions listed are nominal. MAINLINE<sup>®</sup> reserves the right to make product and material changes at any time without notice.



**Contact your sales representative for more information or visit our website at [mainlinecollection.com](http://mainlinecollection.com)**



# Push Connect<sup>®</sup> Brass FIP Tees

## Product Specifications

### PRODUCT FEATURES

- Forged Lead Free\* Brass
- Maximum Working Pressure: 200 PSI
- Maximum Temperature Rating: 200° F
- Compatible with Copper, CPVC, PEX & PE-RT
- Replaceable O-Ring Seal Design
- Removable and Reusable
- Push to Connect
- Full Flow
- Available with Pre-Inserted Stiffener

### APPROVED APPLICATIONS

- Plumbing
- Heating
- Irrigation
- Underground
- Hydronic Heating
- Behind Walls without Access Panel

NOTE: When using PEX, a tube stiffener should be inserted into the PEX tubing end prior to insertion into the fitting.

### MATERIALS & SPECIFICATIONS

#	Component	Material
1	Body	Lead Free Brass
2	Seat Ring	POM
3	Push Ring	POM
4	Grip ring	Stainless Steel
5	O-Ring Seal	EPDM70

### DIMENSIONS

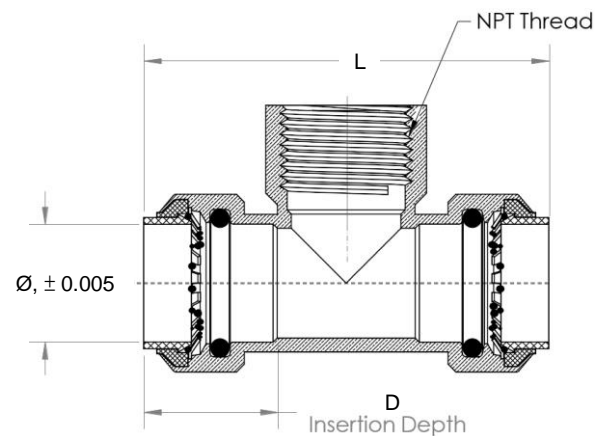
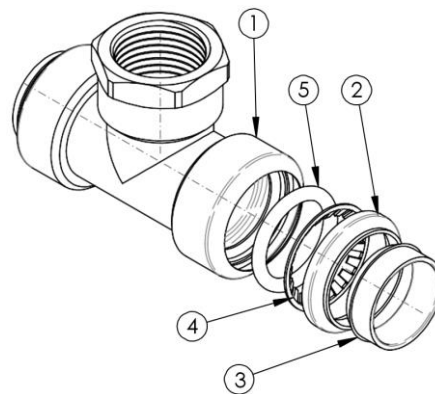
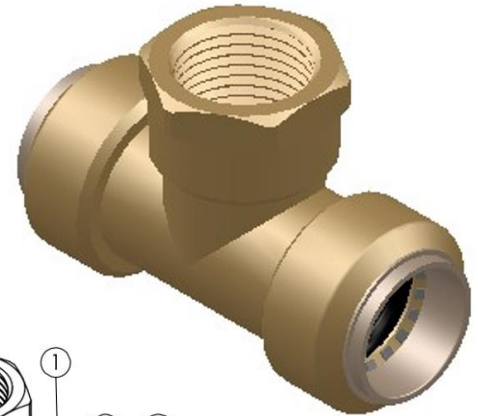
#	Ø	D	L
MLU462LF	0.88	1.06	2.98
MLU464LF	1.142	1.31	3.01
MLU462LF-S	0.88	1.06	2.98
MLU464LF-S	1.142	1.31	3.01

✓ To Submit	Part #	Size
	MLU462LF	3/4" x 3/4" x 3/4"
	MLU464LF	1" x 1" x 1"
	MLU462LF-S	3/4" x 3/4" x 3/4" w/ Stiffener
	MLU464LF-S	1" x 1" x 1" w/ Stiffener

### Warranty

See warranty information for more details.

All dimensions listed are nominal. MAINLINE<sup>®</sup> reserves the right to make product and material changes at any time without notice.



### FORCES FOR MECHANICAL SEPARATION TEST

Nominal Size Inches	mm	Longitudinal (Pull) Test	
		Lbf	N
3/4	19	275	1223.2
1	25	475	2112.8



Contact your sales representative for more information or visit our website at [mainlinecollection.com](http://mainlinecollection.com)



MAINLINE®

# Push Connect® Brass Reducing Coupling

## Product Specifications

### PRODUCT FEATURES

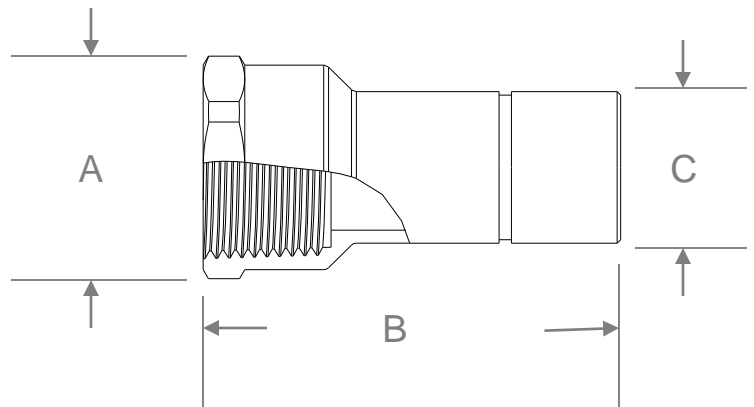
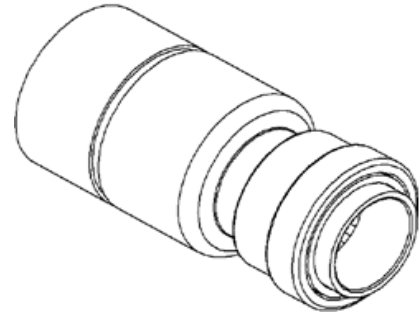
- Forged Lead Free Brass
- Maximum Working Pressure: 200 PSI
- Maximum Temperature Rating: 200° F
- Compatible with Copper, CPVC, PEX & PE-RT
- Removable and Reusable
- Push to Connect
- Full Flow

NOTE: When using PEX, a tube stiffener should be inserted into the PEX tubing end prior to insertion into the fitting.

### MATERIALS & SPECIFICATIONS

Component	Material
Body	Forged Lead Free Brass
O-Ring	EPDM
Grip Ring	Stainless Steel
Tube Stiffener	Delrin

✓ To Submit	Part #	Size
	MLU719LF	1/2" x 3/8"
	MLU719LF-S	1/2" x 3/8" w/ Stiffener
	MLU721LF	3/4" x 3/8"
	MLU721LF-S	3/4" x 3/8" w/ Stiffener
	MLU722LF	1" x 1/2"
	MLU722LF-S	1" x 1/2" w/ Stiffener
	MLU724LF	1" x 3/4"
	MLU724LF-S	1" x 3/4" w/ Stiffener



### DIMENSIONS

#	WT (oz)	A	B	C
MLU719LF	1.67	0.87	2.40	0.625
MLU721LF	2.82	0.87	2.90	0.875
MLU722LF	2.96	1.05	2.46	1.125
MLU724LF	3.45	1.35	1.25	1.125

### Warranty

See warranty information for more details.

All dimensions listed are nominal. MAINLINE® reserves the right to make product and material changes at any time without notice.



\*≤ .25% Pb

Contact your sales representative for more information or visit our website at [mainlinecollection.com](http://mainlinecollection.com)



# Push Connect® Brass FIP Reducing Adapters

## Product Specifications

**MAINLINE®**

### PRODUCT FEATURES

- Forged Lead Free\* Brass
- Maximum Working Pressure: 200 PSI
- Maximum Temperature Rating: 200° F
- Compatible with Copper, CPVC, PEX & PE-RT
- Replaceable O-Ring Seal Design
- Removable and Reusable
- Push to Connect
- Full Flow
- Available with Pre-Inserted Stiffener

### APPROVED APPLICATIONS

- Plumbing
- Heating
- Irrigation
- Underground
- Hydronic Heating
- Behind Walls without Access Panel

NOTE: When using PEX, a tube stiffener should be inserted into the PEX tubing end prior to insertion into the fitting.

### MATERIALS & SPECIFICATIONS

#	Component	Material
1	Body	Lead Free Brass
2	Seat Ring	POM
3	Push Ring	POM
4	Grip ring	Stainless Steel
5	O-Ring Seal	EPDM70

### DIMENSIONS

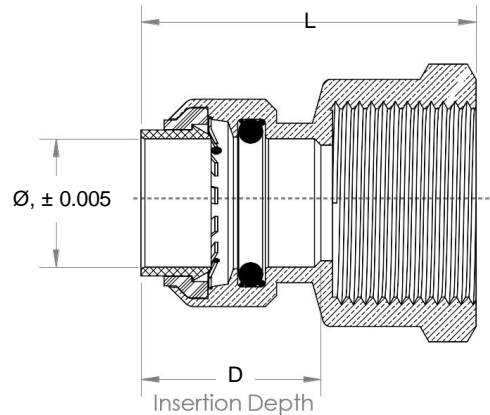
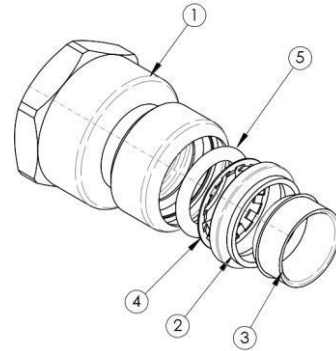
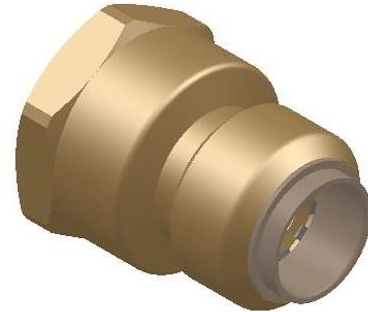
#	Ø	D	L
MLU070LF	TBD	TBD	TBD
MLU068LF	0.64	1	1.69
MLU8322FLF	TBD	TBD	TBD
MLU070LF-S	TBD	TBD	TBD
MLU068LF-S	0.64	1	1.69
MLU8322FLF-S	TBD	TBD	TBD

✓To Submit	Part #	Size
	MLU070LF	3/8" x 1/2"
	MLU068LF	3/4" x 1/2"
	MLU8322FLF	1" x 3/4"
	MLU070LF-S	3/8" x 1/2" w/ Stiffener
	MLU068LF-S	3/4" x 1/2" w/ Stiffener
	MLU8322LF-S	1" x 3/4" w/ Stiffener

### Warranty

See warranty information for more details.

All dimensions listed are nominal. MAINLINE® reserves the right to make product and material changes at any time without notice.



### FORCES FOR MECHANICAL SEPARATION TEST

Nominal Size	Longitudinal (Pull) Test		
	Inches	mm	Lbf
1/2	13	150	667
3/4	19	275	1223.2



Contact your sales representative for more information or visit our website at [mainlinecollection.com](http://mainlinecollection.com)



# Push Connect® Brass MIP Reducing Adapters

## Product Specifications

MAINLINE®

### PRODUCT FEATURES

- Forged Lead Free\* Brass
- Maximum Working Pressure: 200 PSI
- Maximum Temperature Rating: 200° F
- Compatible with Copper, CPVC, PEX & PE-RT
- Replaceable O-Ring Seal Design
- Removable and Reusable
- Push to Connect
- Full Flow
- Available with Pre-Inserted Stiffener



### APPROVED APPLICATIONS

- Plumbing
- Heating
- Irrigation
- Underground
- Hydronic Heating
- Behind Walls without Access Panel

NOTE: When using PEX, a tube stiffener should be inserted into the PEX tubing end prior to insertion into the fitting.

### FORCES FOR MECHANICAL SEPARATION TEST

Nominal Size		Longitudinal (Pull) Test	
Inches	mm	Lbf	N
1/2	13	150	667
3/4	19	275	1223.2

✓To Submit	Part #	Size
	MLU118LF	3/8" x 1/2"
	MLU116LF	3/4" x 1/2"
	MLU139LF	3/4" x 1"
	MLU142LF	1" x 3/4"
	MLU118LF-S	3/8" x 1/2" w/ Stiffener
	MLU116LF-S	3/4" x 1/2" w/ Stiffener
	MLU139LF-S	3/4" x 1" w/ Stiffener
	MLU142LF-S	1" x 3/4" w/ Stiffener

### Warranty

See warranty information for more details.

All dimensions listed are nominal. MAINLINE® reserves the right to make product and material changes at any time without notice.



Contact your sales representative for more information or visit our website at [mainlinecollection.com](http://mainlinecollection.com)



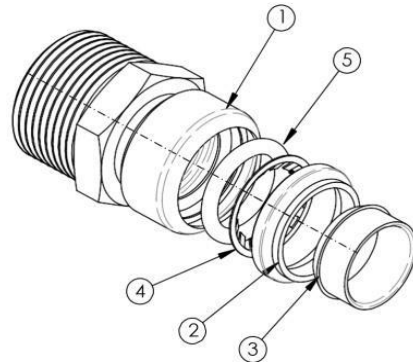
# Push Connect<sup>®</sup> Brass MIP Reducing Adapters

Product Specifications

MAINLINE<sup>®</sup>

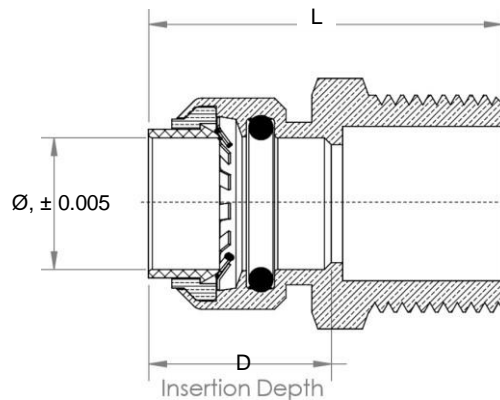
## MATERIALS & SPECIFICATIONS

#	Component	Material
1	Body	Lead Free Brass
2	Seat Ring	POM
3	Push Ring	POM
4	Grip ring	Stainless Steel
5	O-Ring Seal	EPDM70



## DIMENSIONS

#	Ø	D	L
MLU118LF	TBD	TBD	TBD
MLU116LF	0.64	1	1.8
MLU139LF	TBD	TBD	TBD
MLU142LF	TBD	TBD	TBD
MLU118LF-S	TBD	TBD	TBD
MLU116LF-S	0.64	1	1.8
MLU139LF-S	TBD	TBD	TBD
MLU142LF-S	TBD	TBD	TBD



Contact your sales representative for more information or visit our website at [mainlinecollection.com](http://mainlinecollection.com)

Revised 8/10/2022

# Push Connect® Brass 90 Degree Reducing Elbows

## Product Specifications



### PRODUCT FEATURES

- Forged Lead Free\* Brass
- Maximum Working Pressure: 200 PSI
- Maximum Temperature Rating: 200° F
- Compatible with Copper, CPVC, PEX & PE-RT
- Replaceable O-Ring Seal Design
- Removable and Reusable
- Push to Connect
- Full Flow
- Available with Pre-Inserted Stiffener

### APPROVED APPLICATIONS

- Plumbing
- Heating
- Irrigation
- Underground
- Hydronic Heating
- Behind Walls without Access Panel

NOTE: When using PEX, a tube stiffener should be inserted into the PEX tubing end prior to insertion into the fitting.

### MATERIALS & SPECIFICATIONS

#	Component	Material
1	Body	Lead Free Brass
2	Seat Ring	POM
3	Push Ring	POM
4	Grip ring	Stainless Steel
5	O-Ring Seal	EPDM70

### DIMENSIONS

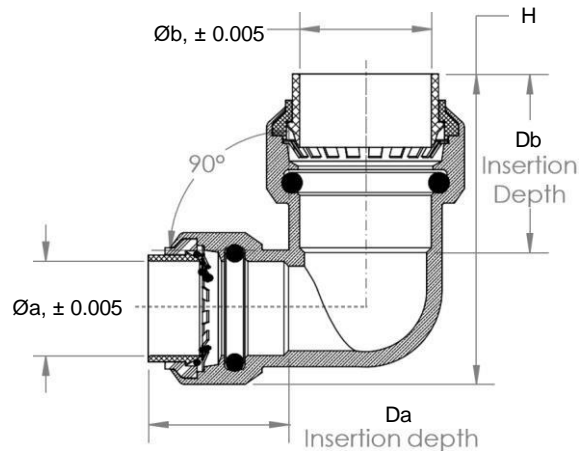
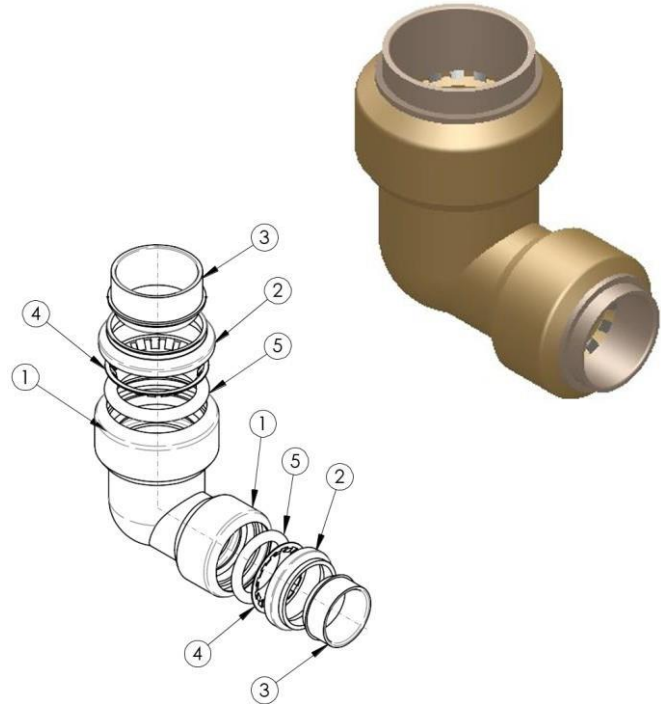
#	Øa	Øb	Da	Db	H
MLU274LF	0.64	0.88	1	1.06	2.14
MLU278LF	TBD	TBD	TBD	TBD	TBD
MLU274LF-S	0.64	0.88	1	1.06	2.14
MLU278LF-S	TBD	TBD	TBD	TBD	TBD

✓To Submit	Part #	Size
	MLU274LF	3/4" x 1/2"
	MLU278LF	1" x 3/4"
	MLU274LF-S	3/4" x 1/2" w/ Stiffener
	MLU278LF-S	1" x 3/4" w/ Stiffener

### Warranty

See warranty information for more details.

All dimensions listed are nominal. MAINLINE® reserves the right to make product and material changes at any time without notice.



### FORCES FOR MECHANICAL SEPARATION TEST

Nominal Size	Longitudinal (Pull) Test			
	Inches	mm	Lbf	N
1/2		13	150	667
3/4		19	275	1223.2



Contact your sales representative for more information or visit our website at [mainlinecollection.com](http://mainlinecollection.com)



**MAINLINE®**

# Push Connect® FIP Water Heater Connectors

## Product Specifications

### FEATURES & PERFORMANCE

- Compatible with Copper, CPVC & PEX
- Removable and Reusable
- Push to Connect
- Full Flow
- Maximum Working Pressure: 200 PSI
- Decomposition Temperature: 482° F
- Service Temperature: 248° F
- Flash Point: 572° F
- Burst Pressure: 800 PSI
- Approved for Plumbing and Heating Applications

*NOTE: When using PEX, a tube stiffener should be inserted into the PEX tubing end prior to insertion into the fitting.*



✓To Submit	Part #	Size
	MLUFXS12LF	18" Hose, 1/2" PC x 3/4" FIP STD Port Stainless Steel Water Hose
	MLUFX12LF	12" Hose, 3/4" PC x 3/4" FIP Stainless Steel Water Hose
	MLUFX18LF	18" Hose, 3/4" PC x 3/4" FIP Stainless Steel Water Hose
	MLUFXS18LF	18" Hose, 3/4" PC x 3/4" FIP STD Port Stainless Steel Water Hose
	MLUFXPF18LF	18" Hose, 3/4" PC x 3/4" Full Port Stainless Steel Water Hose
	MLUFXS18BVLF	18" Hose, 3/4" PC x 3/4" FIP Stainless Steel Water Hose
	MLUFX24LF	24" Hose, 3/4" PC x 3/4" FIP Stainless Steel Water Hose
	MLUFXS12LF-S	18" Hose, 1/2" PC w/Stiffener x 3/4" FIP STD Port Stainless Steel Water Hose
	MLUFX12LF-S	12" Hose, 3/4" PC w/ Stiffener x 3/4" FIP Stainless Steel Water Hose
	MLUFXPF18LF-S	18" Hose, 3/4" PC w/Stiffener x 3/4" Full Port Stainless Steel Water Hose
	MLUFXS18BVLF-S	18" Hose, 3/4" PC w/Stiffener x 3/4" FIP Stainless Steel Water Hose
	MLUFXS18LF-S	18" Hose, 3/4" PC w/Stiffener x 3/4" FIP STD Port Stainless Steel Water Hose
	MLUFX18LF-S	18" Hose, 3/4" PC w/ Stiffener x 3/4" FIP Stainless Steel Water Hose
	MLUFX24LF-S	24" Hose, 3/4" PC w/ Stiffener x 3/4" FIP Stainless Steel Water Hose

### Warranty

See warranty information for more details.

All dimensions listed are nominal. MAINLINE® reserves the right to make product and material changes at any time without notice.



**Contact your sales representative for more information or visit our website at [mainlinecollection.com](http://mainlinecollection.com)**



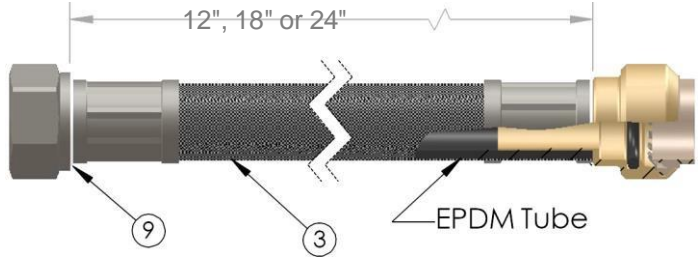
# Push Connect<sup>®</sup> FIP Water Heater Connectors

## Product Specifications

MAINLINE<sup>®</sup>

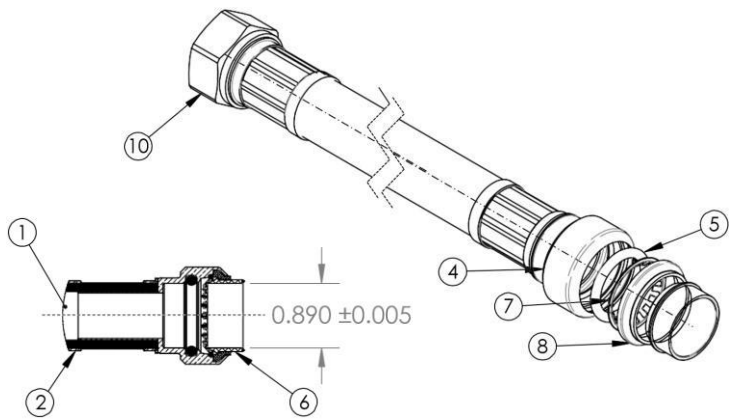
### MATERIALS & SPECIFICATIONS

#	Component	Material
1	Rubber Hose	EPDM 80 Perox
2	Ferrule	Stainless Steel
3	Hose Braiding	Stainless Steel
4	Fitting Head	Lead Free Brass
5	O-Ring	EPDM 70 Perox
6	Push Release	POM
7	Grip Ring	Stainless Steel
8	Seat Ring	POM
9	Plastic Washer	ABS Plastic
10	Swivel Assembly	Chrome Plated



### FORCES FOR MECHANICAL SEPARATION TEST

Nominal Size		Longitudinal (Pull) Test	
Inches	mm	Lbf	N
1/2	13	150	667
3/4	19	275	1223.2



### Warranty

See warranty information for more details.

All dimensions listed are nominal. MAINLINE<sup>®</sup> reserves the right to make product and material changes at any time without notice.

Contact your sales representative for more information or visit our website at [mainlinecollection.com](http://mainlinecollection.com)

# Push Connect<sup>®</sup> Lavatory Flex Connectors with Angle Stop

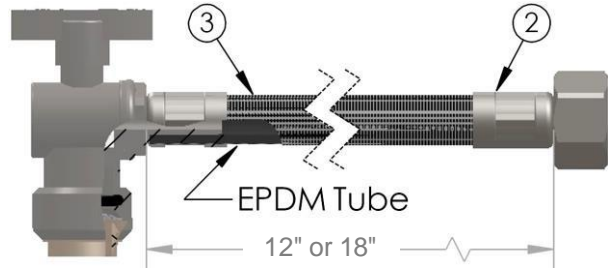
## Product Specifications



### FEATURES & PERFORMANCE

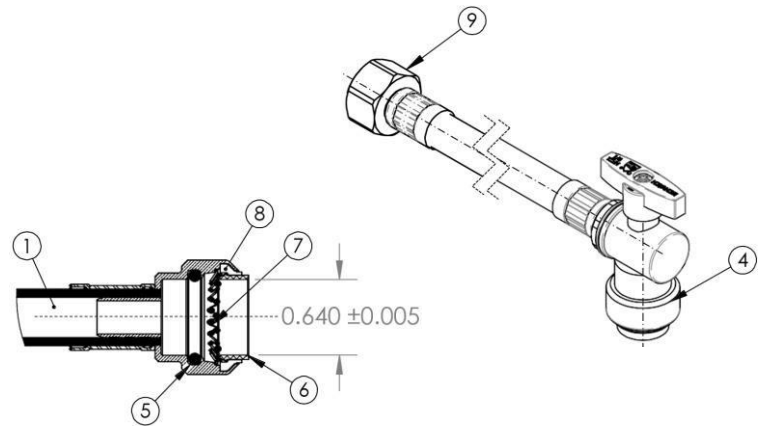
- Compatible with Copper, CPVC & PEX
- Removable and Reusable
- Push to Connect
- Full Flow
- Maximum Working Pressure: 200 PSI
- Decomposition Temperature: 482° F
- Service Temperature: 248° F
- Flash Point: 572° F
- Burst Pressure: 800 PSI
- Approved for Plumbing and Heating Applications

NOTE: When using PEX, a tube stiffener should be inserted into the PEX tubing end prior to insertion into the fitting.



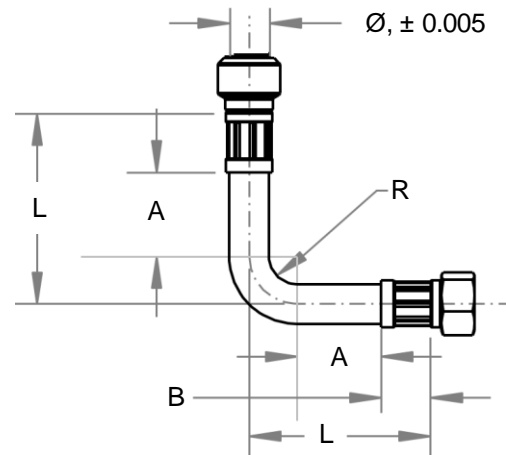
### MATERIALS & SPECIFICATIONS

#	Component	Material
1	Rubber Hose	EPDM 70 Perox
2	Ferrule	Stainless Steel 304
3	Hose Braiding	Stainless Steel 304
4	Fitting Head	Lead Free Brass
5	O-Ring	EPDM 70 Perox
6	Push Release	POM
7	Grip Ring	Stainless Steel
8	Seat Ring	POM
9	Nut	Stainless Steel



### FORCES FOR MECHANICAL SEPARATION TEST

Nominal Size		Longitudinal (Pull) Test	
Inches	mm	Lbf	N
3/8 or <	10 or <	100	444.8
1/2	13	150	667
3/4	19	275	1223.2



### BENDING RADIUS (in)

Ø	R	A	B	L (@ 90°)
1/2"	1.38	1.38	1.06	1.06

✓To Submit	Part #	Size
	ML23385LF	12" Hose, 1/2" Valve x 1/2" FIP
	ML23387LF	18" Hose, 1/2" Valve x 1/2" FIP
	ML747ALF	24" Hose, 1/2" Valve x 1/2" FIP
	ML23385LF-S	12" Hose, 1/2" Valve w/ Stiffener x 1/2" FIP
	ML23387LF-S	18" Hose, 1/2" Valve w/ Stiffener x 1/2" FIP
	ML747ALF-S	24" Hose, 1/2" Valve w/ Stiffener x 1/2" FIP

### Warranty

See warranty information for more details.

All dimensions listed are nominal. MAINLINE<sup>®</sup> reserves the right to make product and material changes at any time without notice.



Contact your sales representative for more information or visit our website at [mainlinecollection.com](http://mainlinecollection.com)

# Push Connect<sup>®</sup> Toilet Flex Connectors with Straight Stop

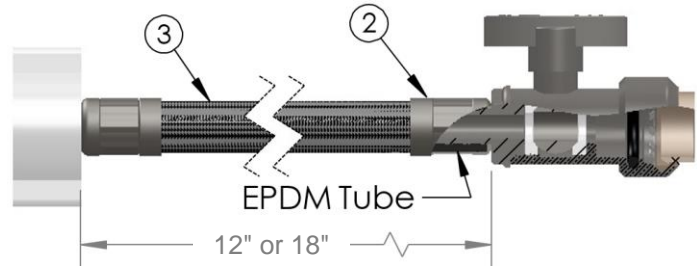


## Product Specifications

### FEATURES & PERFORMANCE

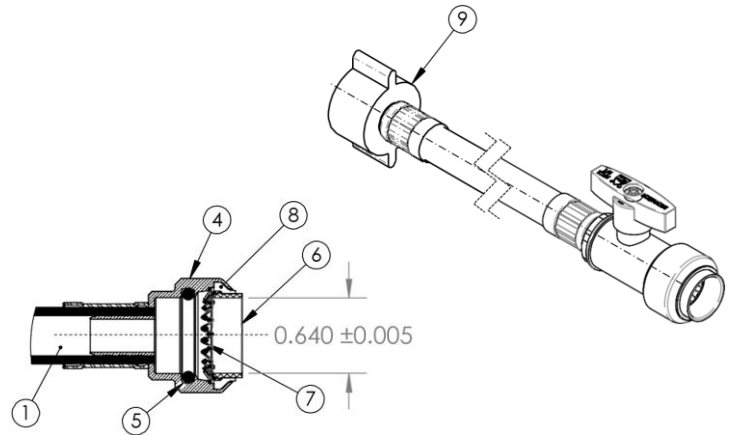
- Compatible with Copper, CPVC & PEX
- Removable and Reusable
- Push to Connect
- Full Flow
- Maximum Working Pressure: 200 PSI
- Decomposition Temperature: 482° F
- Service Temperature: 248° F
- Flash Point: 572° F
- Burst Pressure: 800 PSI
- Approved for Plumbing and Heating Applications

NOTE: When using PEX, a tube stiffener should be inserted into the PEX tubing end prior to insertion into the fitting.



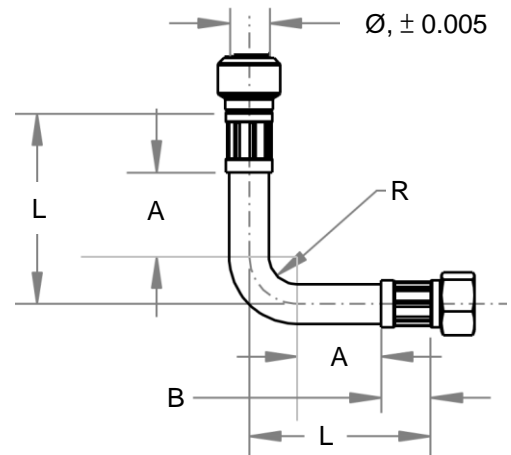
### MATERIALS & SPECIFICATIONS

#	Component	Material
1	Rubber Hose	EPDM 70 Perox
2	Ferrule	Stainless Steel 304
3	Hose Braiding	Stainless Steel 304
4	Fitting Head	Lead Free Brass
5	O-Ring	EPDM 70 Perox
6	Push Release	POM
7	Grip Ring	Stainless Steel
8	Seat Ring	POM
9	Nut	PTFE



### FORCES FOR MECHANICAL SEPARATION TEST

Nominal Size		Longitudinal (Pull) Test	
Inches	mm	Lbf	N
3/8 or <	10 or <	100	444.8
1/2	13	150	667
3/4	19	275	1223.2



### BENDING RADIUS (in)

Ø	R	A	B	L (@ 90°)
1/2"	1.38	1.38	1.06	1.06

✓ To Submit	Part #	Size
	ML23390LF	12" Hose, 1/2" Valve x 1/2" FIP
	ML23392LF	18" Hose, 1/2" Valve x 1/2" FIP
	ML23390LF-S	12" Hose, 1/2" Valve w/ Stiffener x 1/2" FIP
	ML23392LF-S	18" Hose, 1/2" Valve w/ Stiffener x 1/2" FIP

### Warranty

See warranty information for more details.

All dimensions listed are nominal. MAINLINE® reserves the right to make product and material changes at any time without notice.



Contact your sales representative for more information or visit our website at [mainlinecollection.com](http://mainlinecollection.com)