



MAINLINE®

**THE GO-TO PRODUCT
FOR THE GO-TO GUYS**

- + Removable
- + Reusable
- + Push Connect®
- + Installs in Seconds
- + Full Flow!

**JUST PUSH TO CONNECT
FOR A PERMANENT
PLUMBING CONNECTION**

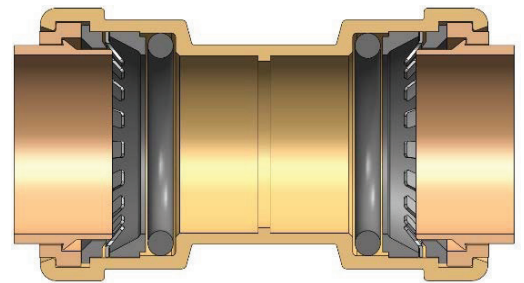


UNMATCHED QUALITY, SELECTION & VALUE

SMART RELEASE TOOL

HASSLE- AND FRUSTRATION-FREE APPLICATIONS

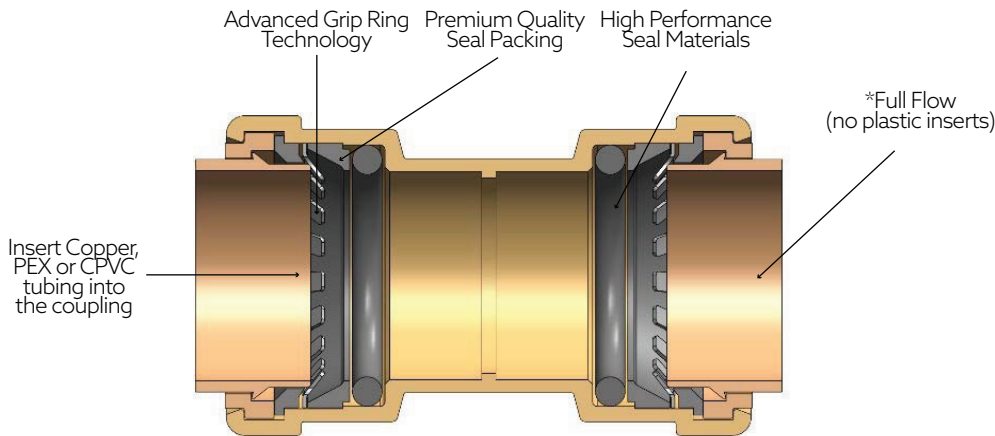
- No glues, solder, crimping, clamps or special tools
- Professional grade Brass for a permanent seal in seconds
- Fast, trouble-free installation on Copper, PEX or CPVC tubing



**THE MAINLINE®
PUSH CONNECT®
TECHNOLOGY FOR
PLUMBING, HEATING,
AIR AND FLUIDS.**



CUT, CLEAN, MARK IT, PUSH® CONNECT



MAINLINE'S® PREMIUM CONSTRUCTION PROVIDES SUPERIOR PERFORMANCE & THE INDUSTRY'S BEST WARRANTY!

Why install inferior metal or plastic fittings that are made or warranted to last about as long as a fluorescent bulb? Accept no substitutes, choose the only brand of fitting with an up to 75-year warranty, Mainline®.

*When using PEX, a Hi-Flo tube stiffener should be inserted into the PEX tubing end prior to insertion into the Mainline® fitting or valve.

VALUE

PROFESSIONAL-GRADE QUALITY, BACKED BY THE MAINLINE® SUPERIOR WARRANTY IS JUST THE START. SAVE TIME AND MONEY ON YOUR INSTALLATION BY COMPLETING YOUR PROJECTS IN 1/12TH TO 1/20TH THE TIME OF CONVENTIONAL SOLDERED TECHNOLOGY.

YOU'RE DONE!

NO FLAMES, GLUES, TOOLS, CRIMPING, OR THREADING.



NO GLUE



NO FLAMES

PIPE AND TUBING

Use For Copper, PEX & CPVC Tubing

Mainline® fittings have been tested to ASSE 1061/NSF 61 standards and are listed by IAPMO, meeting UPC, IPC and cUPC requirements.

APPLICATIONS

Fluids, Inert Gases, Water & Air

Mainline® Push® connect fittings are certified for potable and hydronic heating installations, as well as underground applications and as a plumbing joint without access panels.

ASSORTMENT

Wide Variety of Fittings, Kits & Valves

Mainline® offers a wide range of push connect plumbing fittings, as well as stop valves, ball valves, gate valves, installation kits and custom products.



NO INSERTS
FULL FLOW
...MEANS NO REDUCTION IN PRESSURE!

ML23389LF	12"	Push Connect® Toilet Flex Connectors w/ Angle Stop®
ML23391LF	18"	Push Connect® Toilet Flex Connectors w/ Angle Stop
ML23390LF	12"	Push Connect® Toilet Flex Connectors w/ Straight Stop
ML23392LF	18"	Push Connect® Toilet Flex Connectors w/ Straight Stop
MLUFX12LF	12"	Push Connect® FIP Water Heater Connector
MLUFX18LF	18"	Push Connect® FIP Water Heater Connector
MLUFX24LF	24"	Push Connect® FIP Water Heater Connector
MLUFX18BVLF	18"	Push Connect® FIP Water Heater Connector with Full Port Ball Valve
ML23036LF	3/8" O.D.	Push Connect® Brass Quarter Turn Angle Stop Valve
ML23336LF	1/4" O.D.	Push Connect® Brass Quarter Turn Angle Stop Valve
ML23385LF	12"	Push Connect® Lavatory Flex Connectors w/ Angle Stop
ML23387LF	18"	Push Connect® Lavatory Flex Connectors w/ Angle Stop
ML23389LF	12"	Push Connect® Toilet Flex Connectors w/ Angle Stop
ML23391LF	18"	Push Connect® Toilet Flex Connectors w/ Angle Stop
ML23037LF	3/8" O.D.	Push Connect® Brass Quarter Turn Straight Stop Valve
ML23337LF	1/4" O.D.	Push Connect® Brass Quarter Turn Straight Stop Valve
ML23386LF	12"	Push Connect® Lavatory Flex Connectors w/ Straight Stop
ML23388LF	18"	Push Connect® Lavatory Flex Connectors w/ Straight Stop
ML23390LF	12"	Push Connect® Toilet Flex Connectors w/ Straight Stop
ML23392LF	18"	Push Connect® Toilet Flex Connectors w/ Straight Stop
MLU006LF	3/8" X 3/8"	Push Connect® Brass Straight Coupling
MLU008LF	1/2" X 1/2"	Push Connect® Brass Straight Coupling
MLU016LF	3/4" X 3/4"	Push Connect® Brass Straight Coupling
MLU020LF	1" X 1"	Push Connect® Brass Straight Coupling
ML0135LF	1-1/4"	Push Connect® Brass Straight Coupling
ML0141LF	1-1/2"	Push Connect® Brass Straight Coupling
ML0154LF	2"	Push Connect® Brass Straight Coupling
MLU4008LF	1/2" X 1/2"	Push Connect® Brass Transition Coupling
MLU4016LF	3/4" X 3/4"	Push Connect® Brass Transition Coupling
MLU3008LF	1/2" X 1/2"	Push Connect® Brass Slip Repair Coupling
MLU3016LF	3/4" X 3/4"	Push Connect® Brass Slip Repair Coupling
MLU3020LF	1" X 1"	Push Connect® Brass Slip Repair Coupling
MLU009LF	1/2" X 3/8"	Push Connect® Brass Reducing Coupling
MLU058LF	3/4" X 1/2"	Push Connect® Brass Reducing Coupling
MLU060LF	1" X 3/4"	Push Connect® Brass Reducing Coupling
ML013528LF	1-1/4" X 1"	Push Connect® Brass Reducing Coupling
ML014135LF	1-1/2" X 1-1/4"	Push Connect® Brass Reducing Coupling
ML015441LF	2" X 1-1/2"	Push Connect® Brass Reducing Coupling
MLU069LF	3/8" X 3/8"	Push Connect® Brass FIP Adapter
MLU072LF	1/2" X 1/2"	Push Connect® Brass FIP Adapter
MLU088LF	3/4" X 3/4"	Push Connect® Brass FIP Adapter
MLU094LF	1" X 1"	Push Connect® Brass FIP Adapter
ML113532FLF	1-1/4" X 1-1/4"	Push Connect® Brass FIP Adapter
ML114140FLF	1-1/2" X 1-1/2"	Push Connect® Brass FIP Adapter
ML115450FLF	2" X 2"	Push Connect® Brass FIP Adapter
MLU068LF	1/2" X 3/4"	Push Connect® Brass FIP Reducing Adapter
MLU112LF	3/8" X 3/8"	Push Connect® Brass MIP Adapter

MLU120LF	1/2" X 1/2"	Push Connect® Brass MIP Adapter
MLU134LF	3/4" X 3/4"	Push Connect® Brass MIP Adapter
MLU140LF	1" X 1"	Push Connect® Brass MIP Adapter
ML113532MLF	1-1/4" X 1-1/4"	Push Connect® Brass MIP Adapter
ML114140MLF	1-1/2" X 1-1/2"	Push Connect® Brass MIP Adapter
ML115450MLF	2" X 2"	Push Connect® Brass MIP Adapter
MLU116LF	1/2" X 3/4"	Push Connect® Brass MIP Reducing Adapter
MLU246LF	3/8" X 3/8"	Push Connect® Brass 90 Degree Elbow
MLU248LF	1/2" X 1/2"	Push Connect® Brass 90 Degree Elbow
MLU256LF	3/4" X 3/4"	Push Connect® Brass 90 Degree Elbow
MLU260LF	1" X 1"	Push Connect® Brass 90 Degree Elbow
ML0235LF	1-1/4"	Push Connect® Brass 90 Degree Elbow
ML0241LF	1-1/2"	Push Connect® Brass 90 Degree Elbow
ML0254LF	2"	Push Connect® Brass 90 Degree Elbow
MLU274LF	3/4" X 1/2"	Push Connect® Brass 90 Degree Reducing Elbow
MLU304LF	3/8" X 3/8"	Push Connect® Brass 90 Degree FIP Elbow
MLU308LF	1/2" X 1/2"	Push Connect® Brass 90 Degree FIP Elbow
MLU277LF	3/8" X 3/8"	Push Connect® Brass 90 Degree MIP Elbow
MLU280LF	1/2" X 1/2"	Push Connect® Brass 90 Degree MIP Elbow
MLU328LF	3/8" X 3/8"	Push Connect® Brass FIP Drop Ear Elbow
MLU334LF	1/2" X 1/2"	Push Connect® Brass FIP Drop Ear Elbow
MLU2276LF	3/4" X 1/4"	Push Connect® Brass Dishwasher Elbow
MLU360LF	3/8" X 3/8" X 3/8"	Push Connect® Brass Tee
MLU362LF	1/2" X 1/2" X 1/2"	Push Connect® Brass Tee
MLU370LF	3/4" X 3/4" X 3/4"	Push Connect® Brass Tee
MLU374LF	1" X 1" X 1"	Push Connect® Brass Tee
ML0335LF	1-1/4"	Push Connect® Brass Tee
ML0341LF	1-1/2"	Push Connect® Brass Tee
ML0354LF	2"	Push Connect® Brass Tee
MLU412LF	3/4" X 3/4" X 1/2"	Push Connect® Brass Reducing Tee
MLU454LF	3/4" X 1/2" X 1/2"	Push Connect® Brass Reducing Tee
MLU444LF	3/4" X 1/2" X 3/4"	Push Connect® Brass Reducing Tee
MLU416LF	1" X 1" X 3/4"	Push Connect® Brass Reducing Tee
MLU462LF	3/4" X 3/4" X 3/4"	Push Connect® Brass FIP Tee
MLU464LF	1" X 1" X 1"	Push Connect® Brass FIP Tee
MLU3362LF	1/2" X 1/2" X 1/2"	Push Connect® Brass Slip Repair Tee
MLU3370LF	3/4" X 3/4" X 3/4"	Push Connect® Brass Slip Repair Tee
MLU3482LF	1/2" X 1/2" X 1/2"	Push Connect® Brass Fip Slip Repair Tee with Tool
MLU3486LF	3/4" X 3/4" X 3/4"	Push Connect® Brass Fip Slip Repair Tee with Tool
MLU512LF	3/8"	Push Connect® Brass End Stop
MLU514LF	1/2"	Push Connect® Brass End Stop
MLU518LF	3/4"	Push Connect® Brass End Stop
MLU520LF	1"	Push Connect® Brass End Stop
ML0435LF	1-1/4"	Push Connect® Brass End Stop
ML0441LF	1-1/2"	Push Connect® Brass End Stop
ML0454LF	2"	Push Connect® Brass End Stop
ML22486LF	1/2" & 3/4"	Push Connect® Brass Starter Kit

MLU2008LF	1/2" X 1/2"	Push Connect® Brass Check Valve
MLU2016LF	3/4" X 3/4"	Push Connect® Brass Check Valve
MLU2020LF	1" X 1"	Push Connect® Brass Check Valve
ML22222LF	1/2" X 1/2"	Push Connect® Brass Full Port Ball Valve
ML22185LF	3/4" X 3/4"	Push Connect® Brass Full Port Ball Valve
ML22223LF	1" X 1"	Push Connect® Brass Full Port Ball Valve
ML23336LF	1/4" O.D.	Push Connect® Brass Quarter Turn Angle Stop Valve
ML23036LF	3/8" O.D.	Push Connect® Brass Quarter Turn Angle Stop Valve
ML23337LF	1/4" O.D.	Push Connect® Brass Quarter Turn Straight Stop Valve
ML23037LF	3/8" O.D.	Push Connect® Brass Quarter Turn Straight Stop Valve
ML24983LF	1/2" X 1/2" X 1/4"	Push Connect® Brass Stop Valve Tee
ML24984LF	1/2" X 1/2" X 3/8"	Push Connect® Brass Stop Valve Tee
ML23385LF	12"	Push Connect® Lavatory Flex Connectors w/ Angle Stop
ML23387LF	18"	Push Connect® Lavatory Flex Connectors w/ Angle Stop
ML23386LF	12"	Push Connect® Lavatory Flex Connectors w/ Straight Stop
ML23388LF	18"	Push Connect® Lavatory Flex Connectors w/ Straight Stop
ML23389LF	12"	Push Connect® Toilet Flex Connectors w/ Angle Stop
ML23391LF	18"	Push Connect® Toilet Flex Connectors w/ Angle Stop
ML23390LF	12"	Push Connect® Toilet Flex Connectors w/ Straight Stop
ML23392LF	18"	Push Connect® Toilet Flex Connectors w/ Straight Stop
MLUFX12LF	12"	Push Connect® FIP Water Heater Connector
MLUFX18LF	18"	Push Connect® FIP Water Heater Connector
MLUFX24LF	24"	Push Connect® FIP Water Heater Connector
MLUFX18BVLF	18"	Push Connect® FIP Water Heater Connector with Full Port Ball Valve
MLU38TS	3/8"	Push Connect® Tube Stiffener
MLU12TS	1/2"	Push Connect® Tube Stiffener
MLU34TS	3/4"	Push Connect® Tube Stiffener
MLU1TS	1"	Push Connect® Tube Stiffener
MLTL35	1-1/4"	Push Connect® Tube Stiffener
MLTL41	1-1/2"	Push Connect® Tube Stiffener
MLTL54	2"	Push Connect® Tube Stiffener
MLPB700	3/8"	Push Connect® O-Ring
MLPB710	1/2"	Push Connect® O-Ring
MLPB720	3/4"	Push Connect® O-Ring
MLPB730	1"	Push Connect® O-Ring
MLPB770	1-1/4"	Push Connect® O-Ring
MLPB780	1-1/2"	Push Connect® O-Ring
MLPB790	2"	Push Connect® O-Ring
ML22222LF	1/2" X 1/2"	Push Connect® Brass Full Port Ball Valve
ML22185LF	3/4" X 3/4"	Push Connect® Brass Full Port Ball Valve
ML22223LF	1" X 1"	Push Connect® Brass Full Port Ball Valve
MLU2008LF	1/2" X 1/2"	Push Connect® Brass Check Valve
MLU2016LF	3/4" X 3/4"	Push Connect® Brass Check Valve
MLU2020LF	1" X 1"	Push Connect® Brass Check Valve